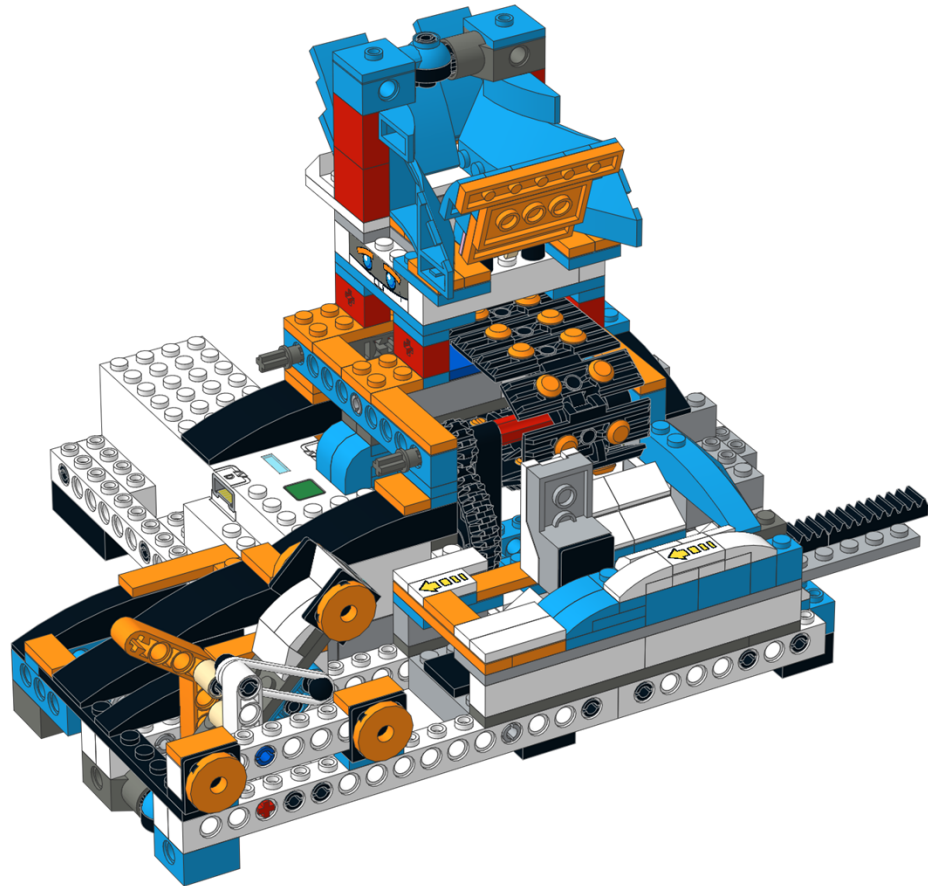


1802

Candy Catapult

388 pieces

A custom model design
by Jason Allemann





All the pieces needed to build this model are available in the LEGO BOOST set 17101 Creative Toolbox.

More information about building, programming and operating this model can be found at jkbrickworks.com

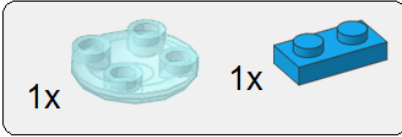
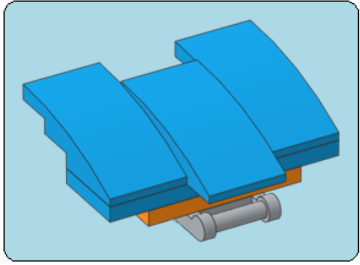
To see more of our custom models, visit jkbrickworks.com.

You can also find us at facebook.com/JKBrickworks or follow [@jasonallemann](https://twitter.com/jasonallemann) on Twitter and Instagram.

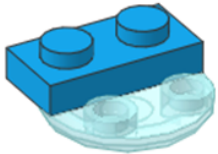
© 2018 Jason Allemann



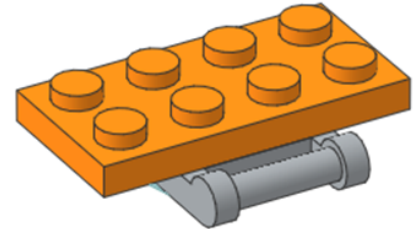
These instructions and the design depicted are made freely available for personal use, and are licensed under the *Creative Commons Attribution-NonCommercial 4.0 International License*.

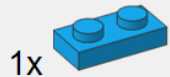


1

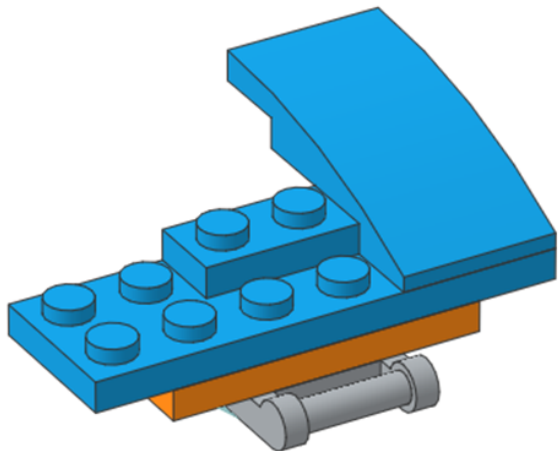


2



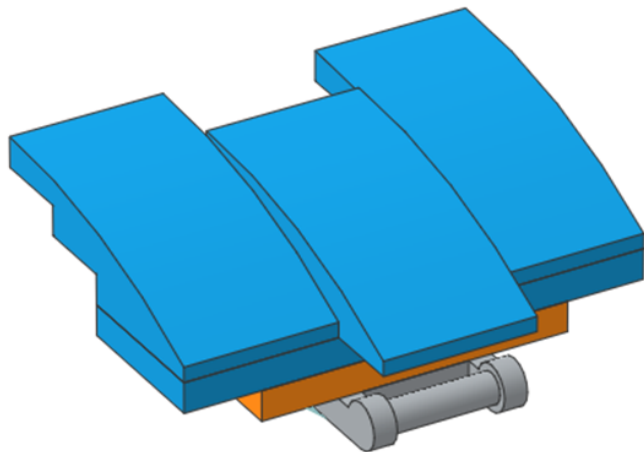


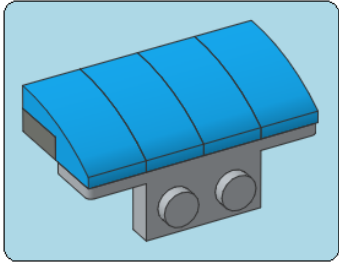
3



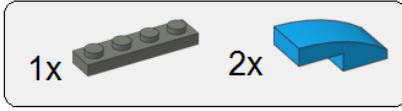
2x

4

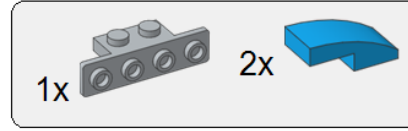
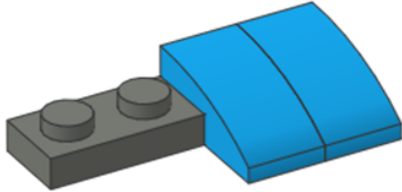




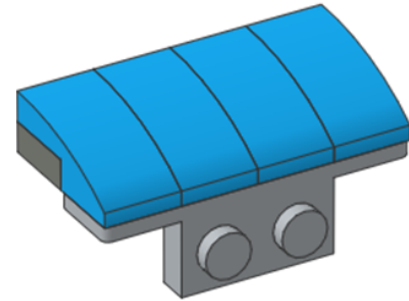
x2



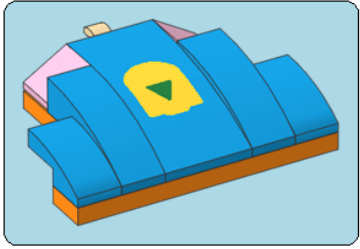
1



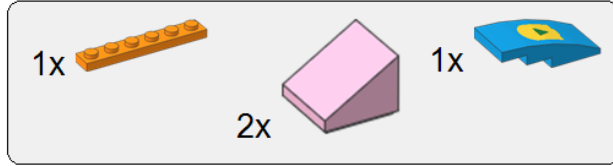
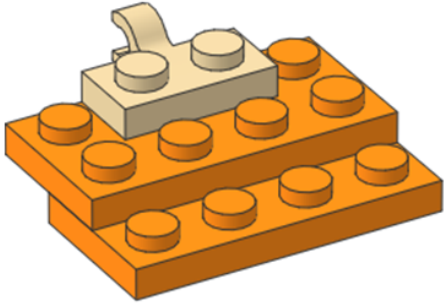
2



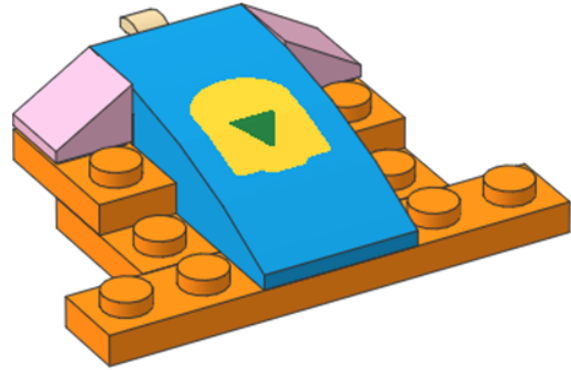
x2



1

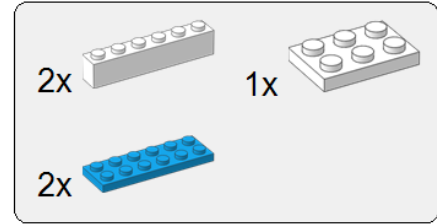
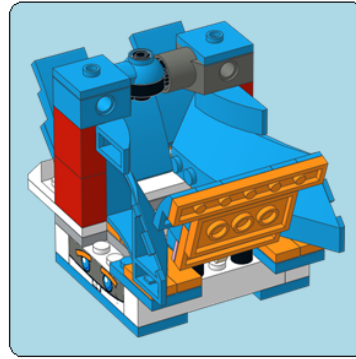
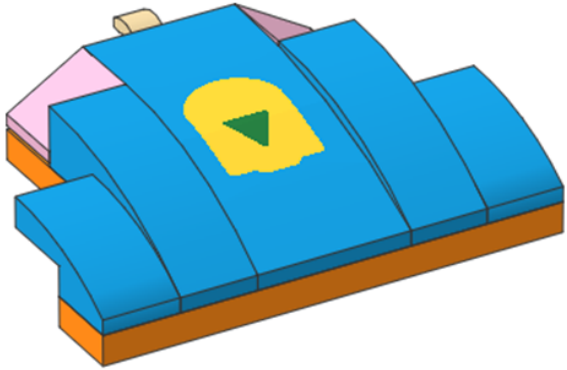


2

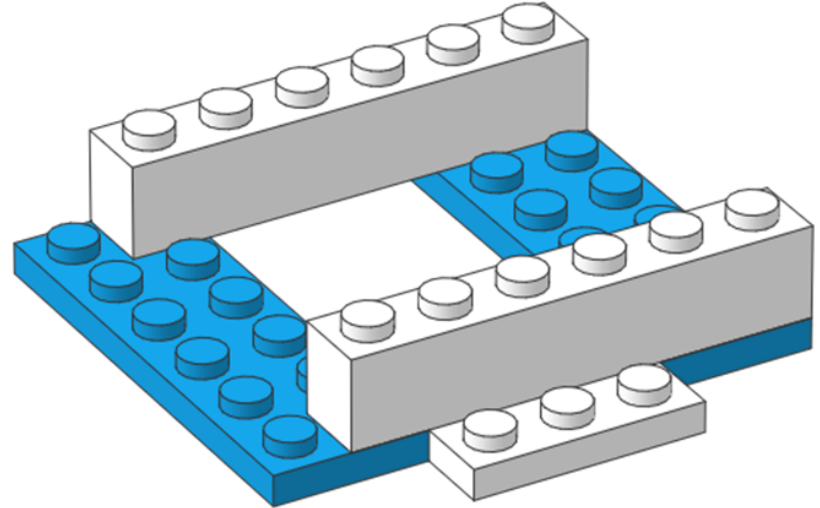


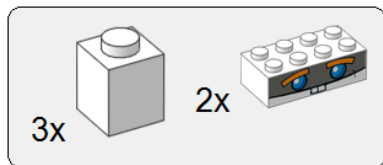


3

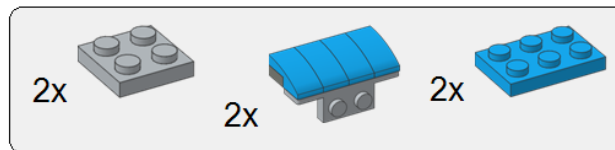
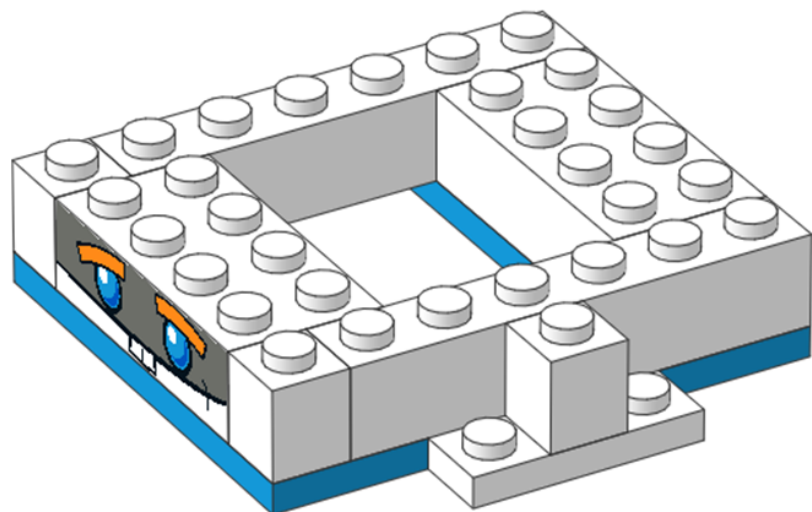


1

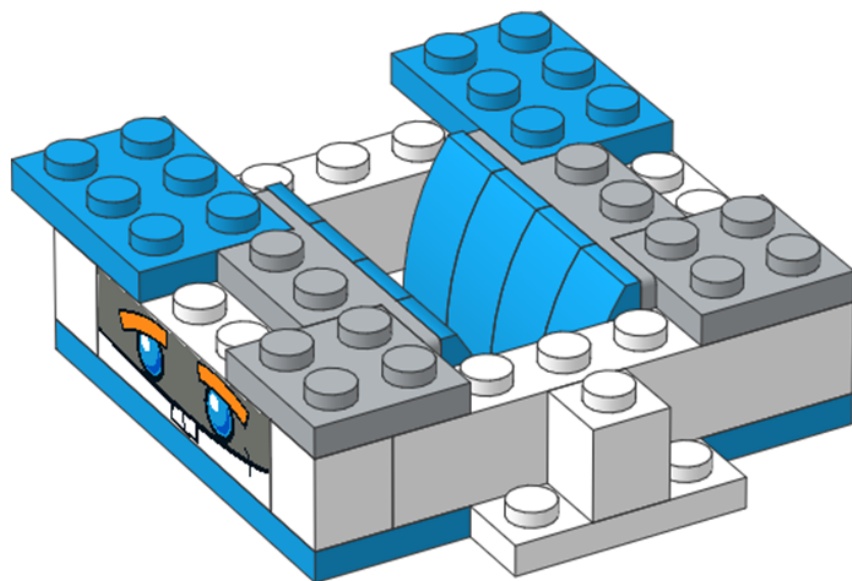


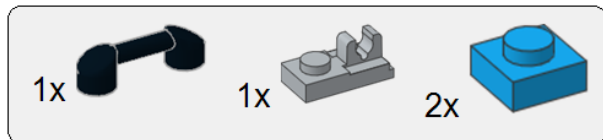


2

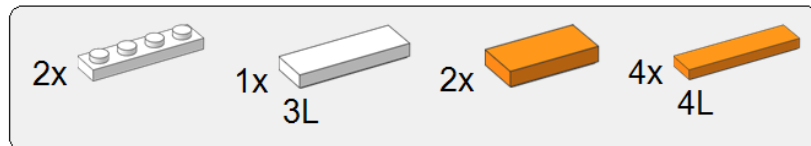
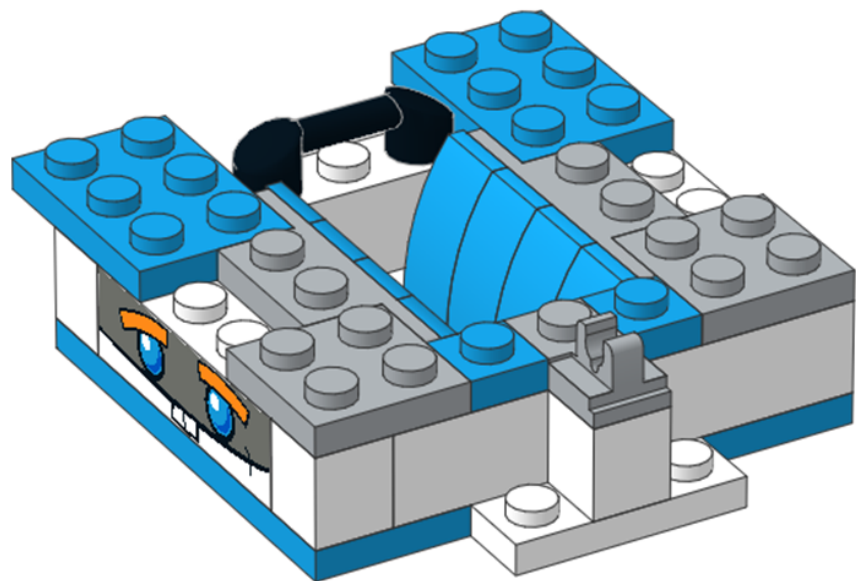


3

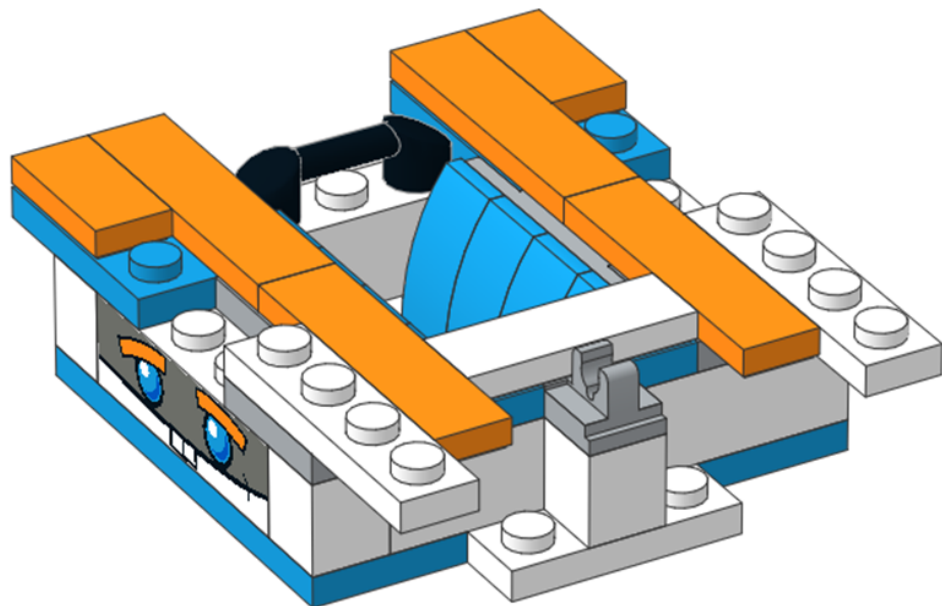


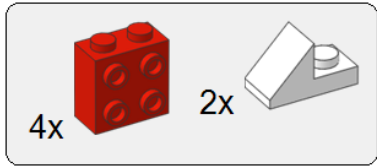


4

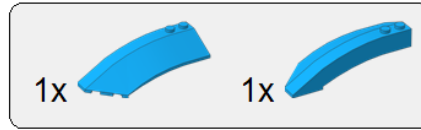
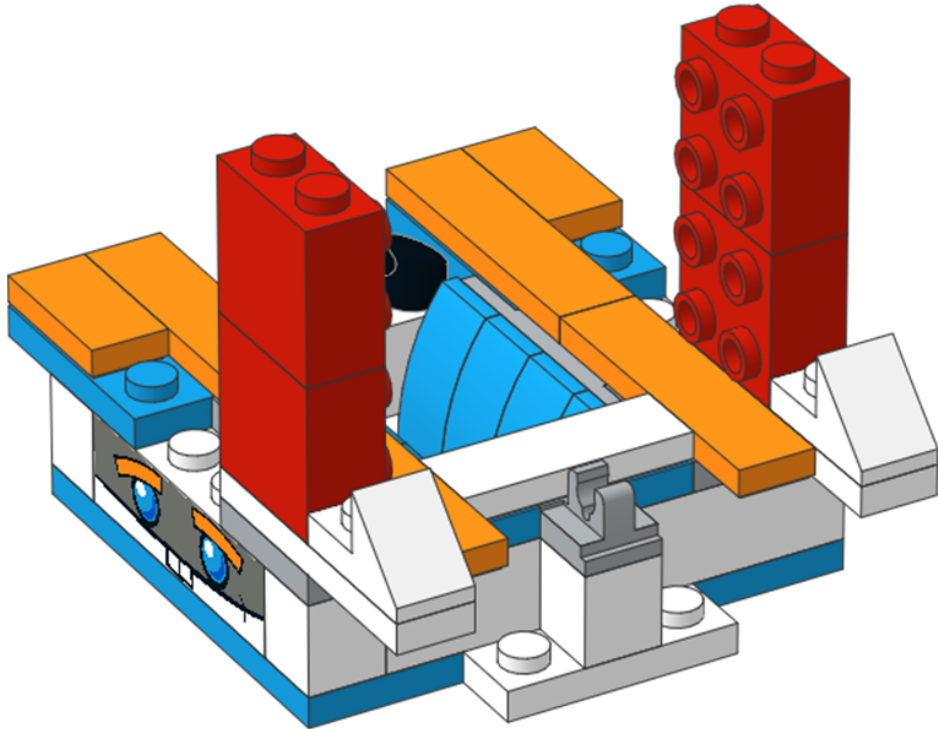


5

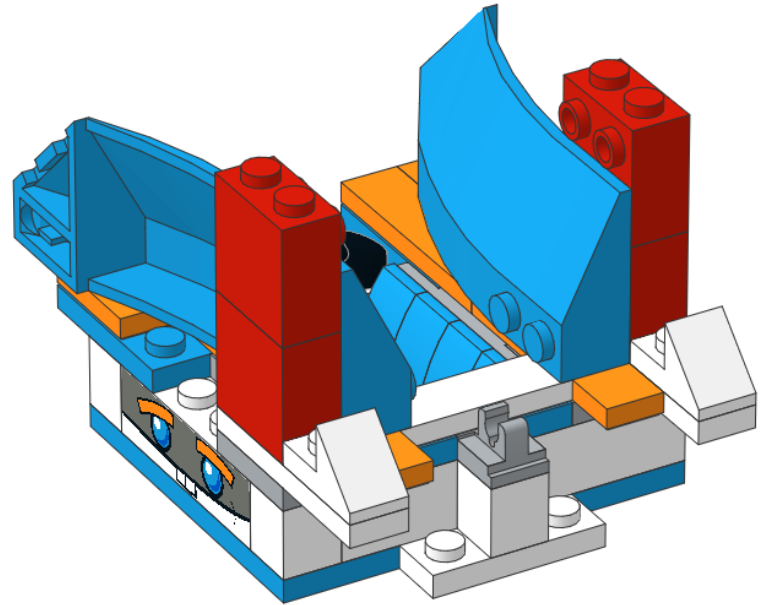




6



7



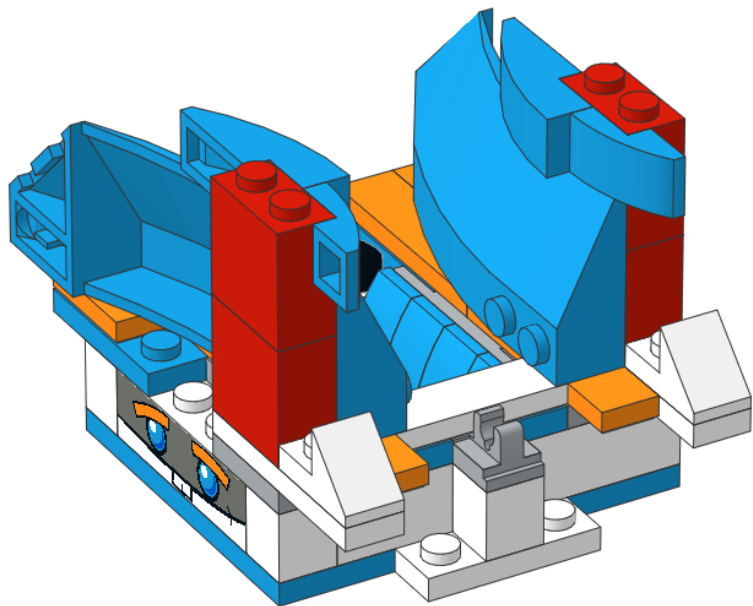
2x



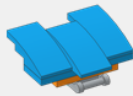
2x



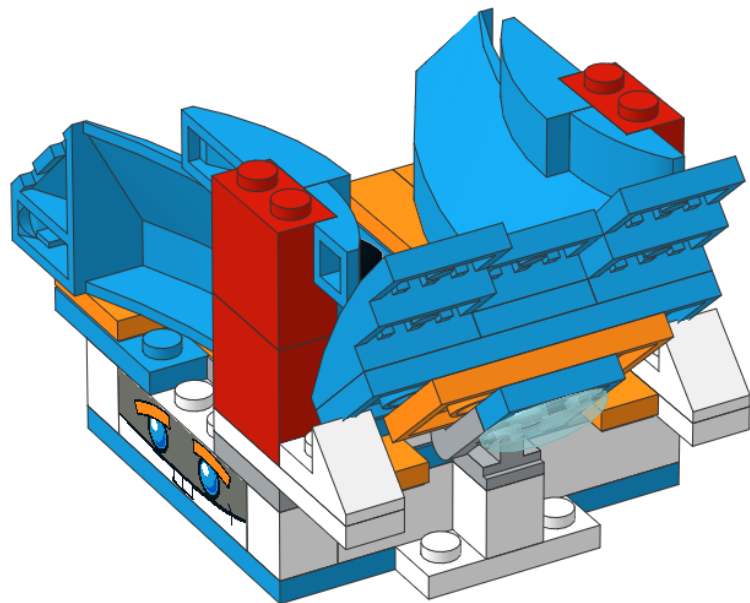
8



1x

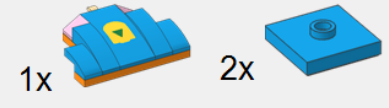
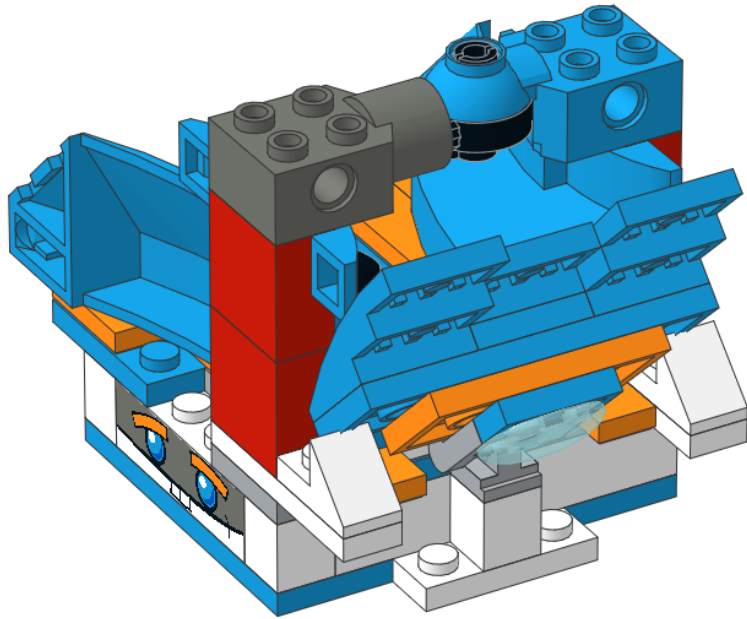


9

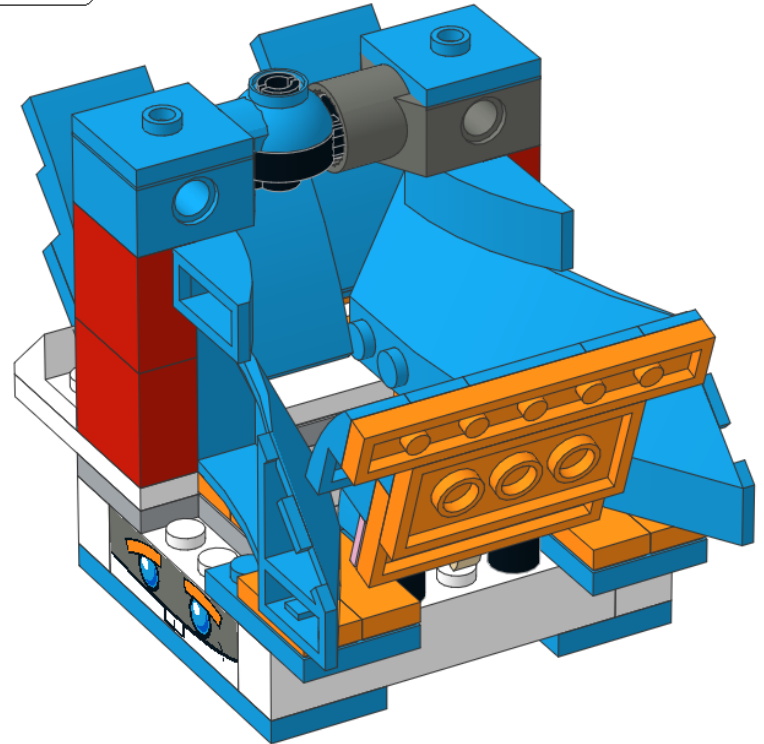


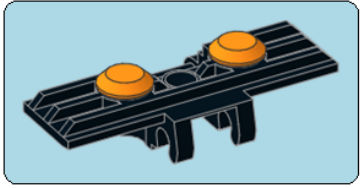


10

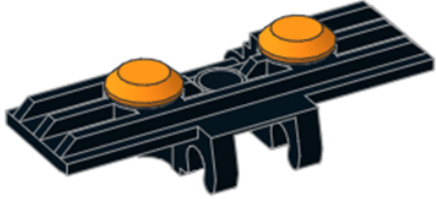


11

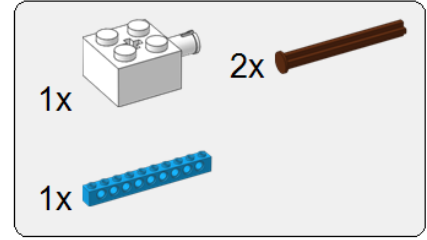
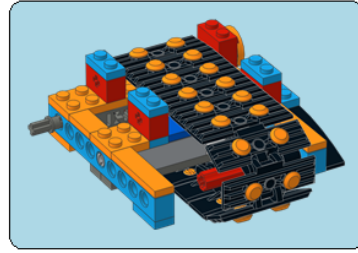




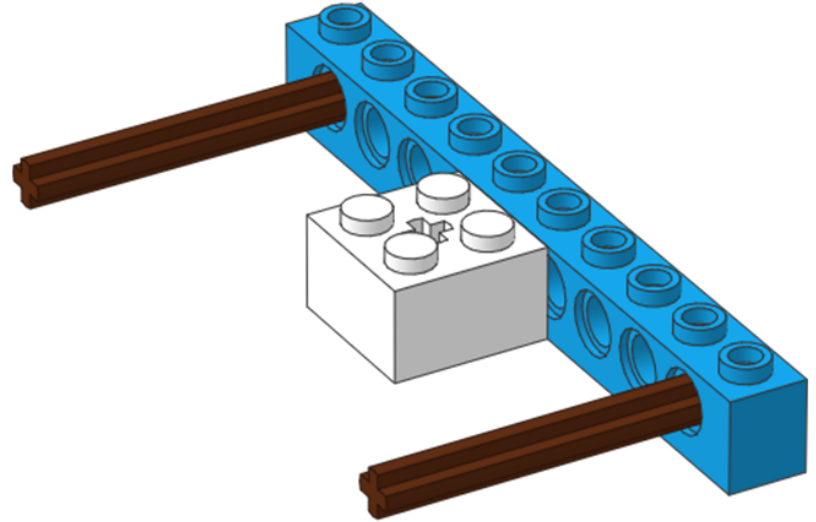
x17



x17

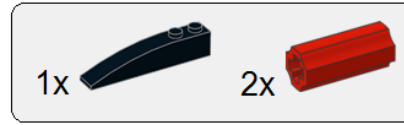
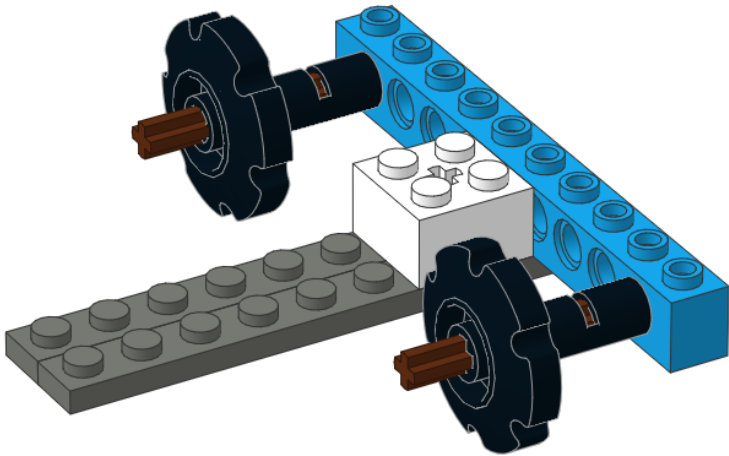


1

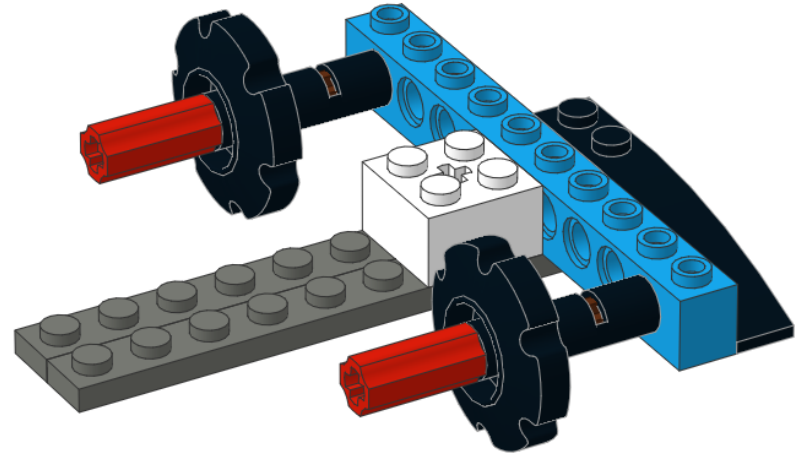


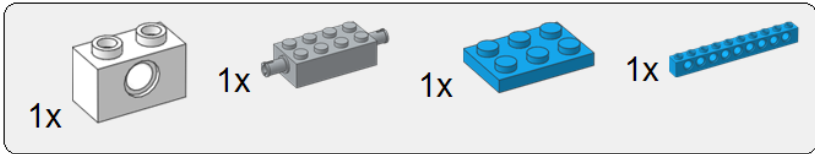


2

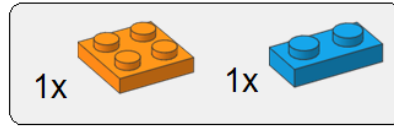
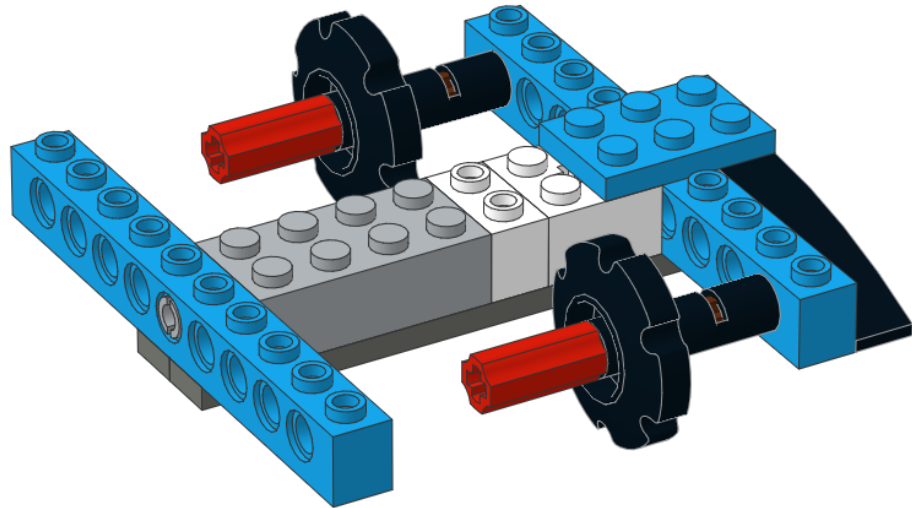


3

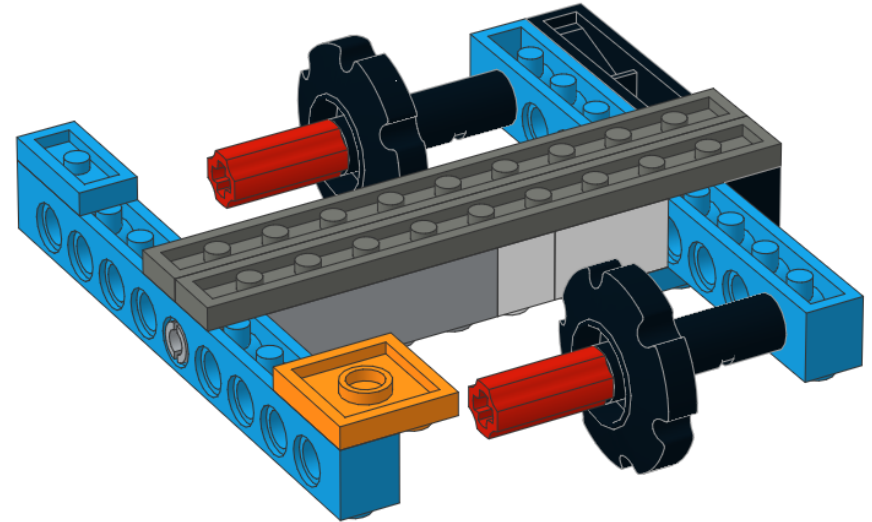


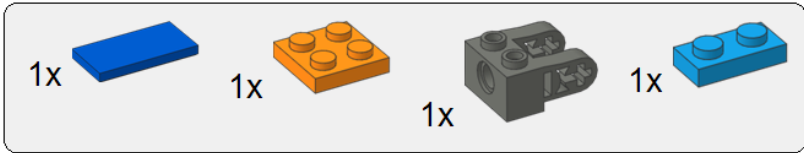


4

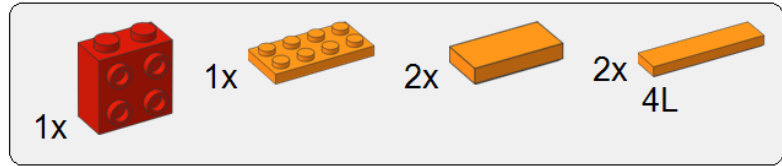
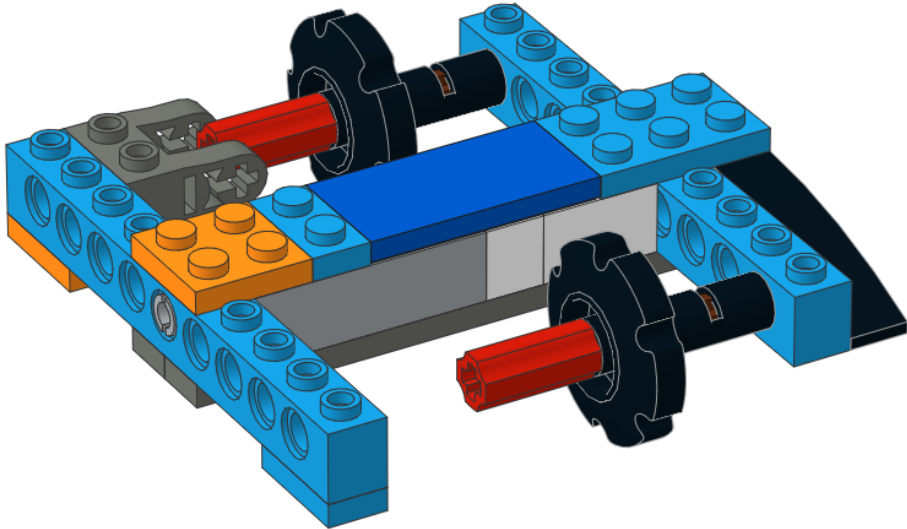


5

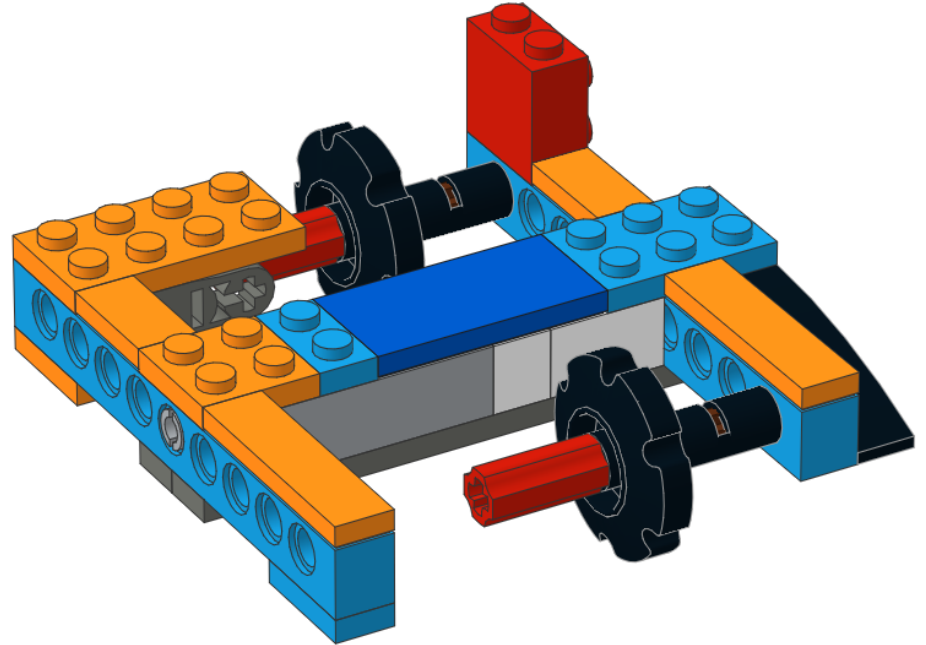


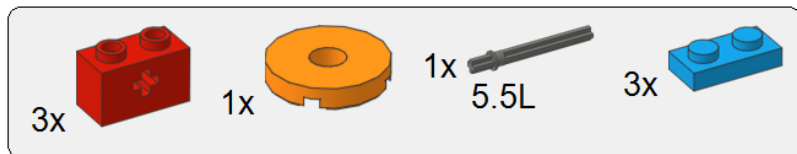


6

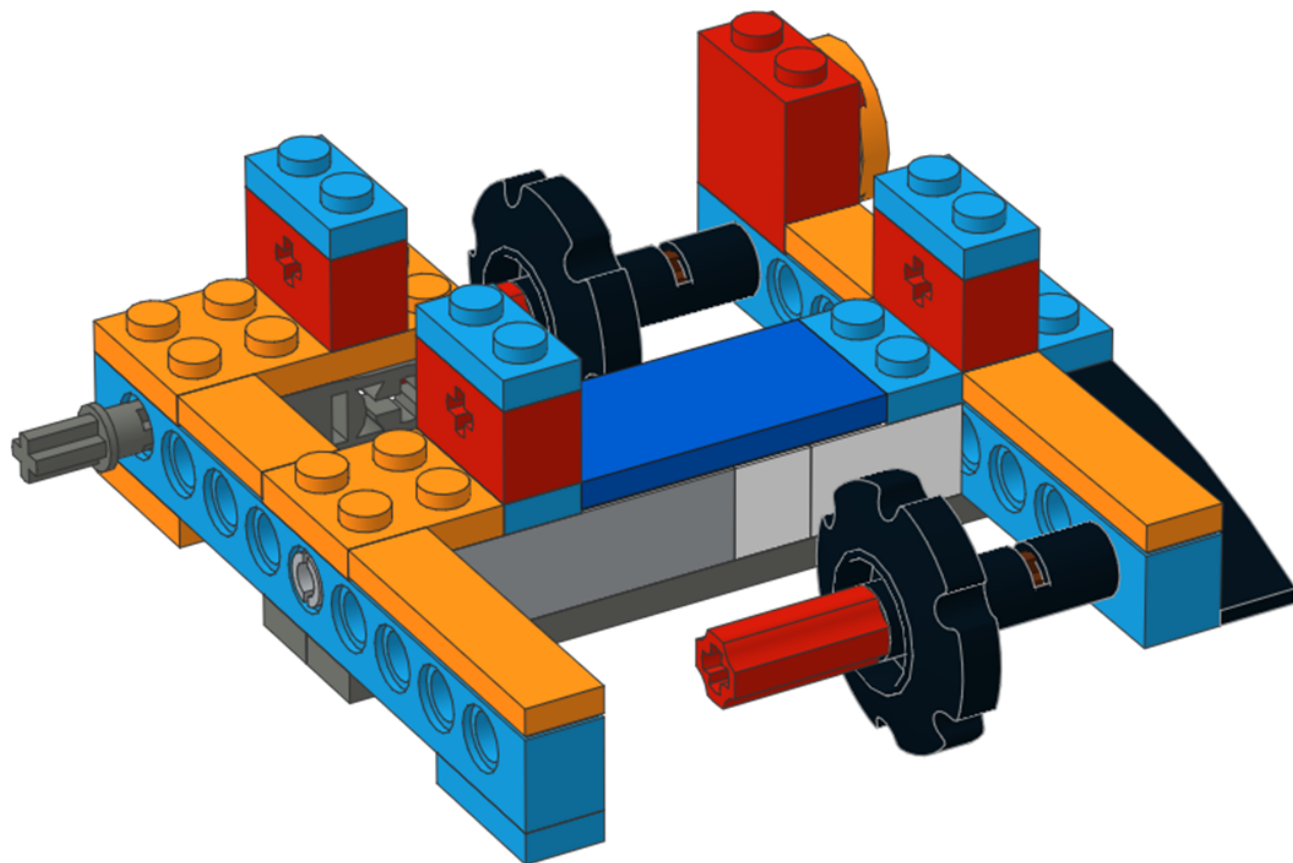


7





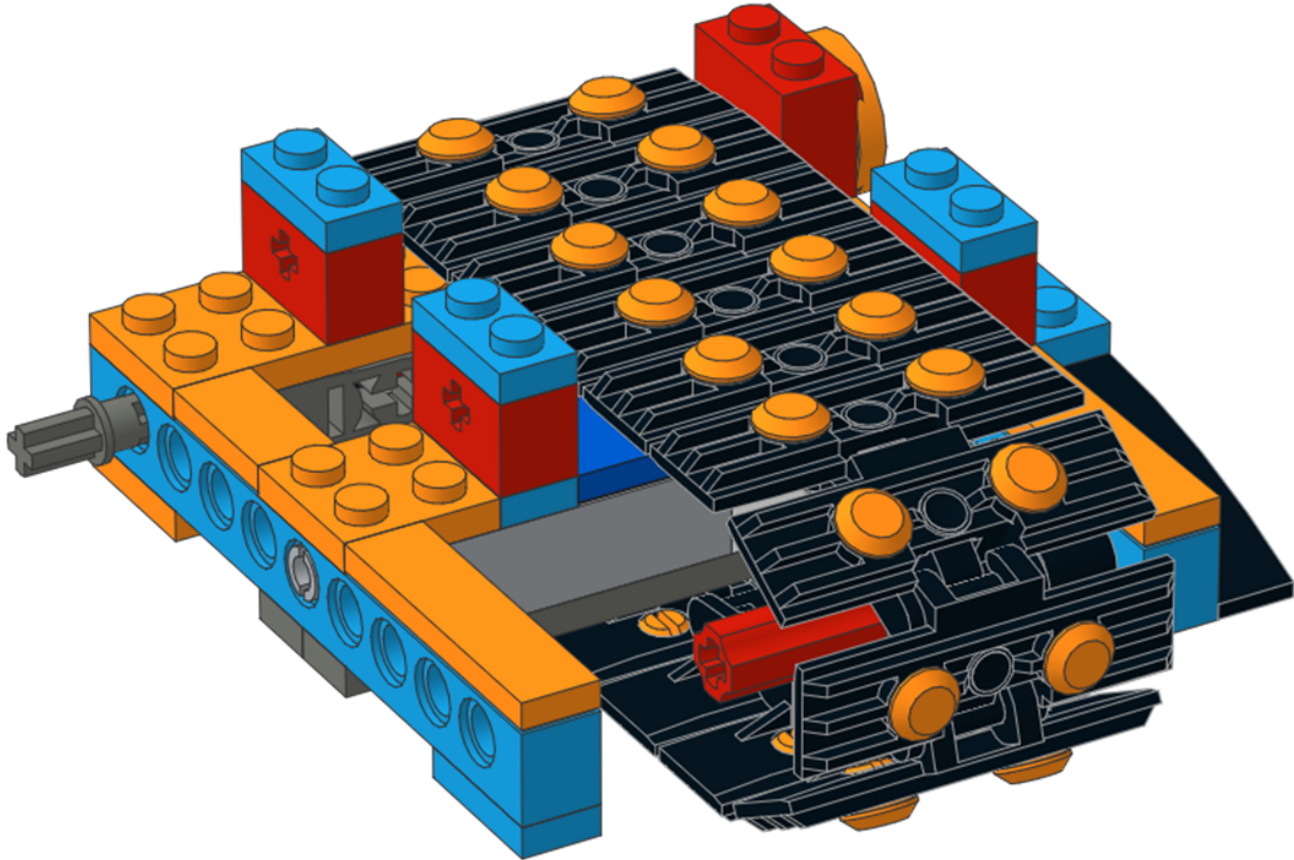
8

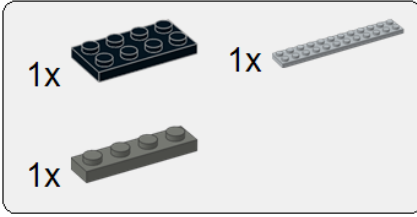
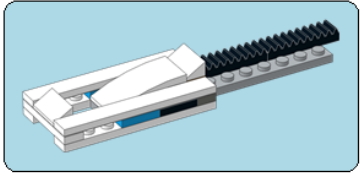


17x

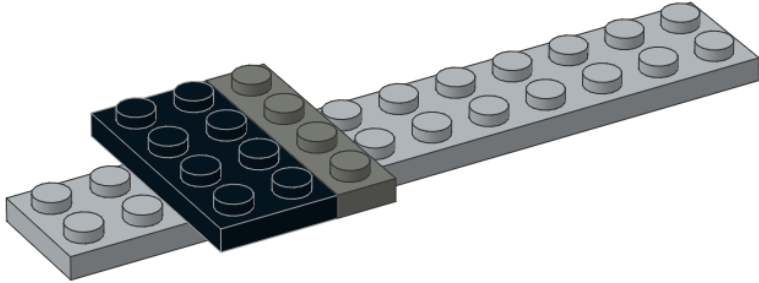


9

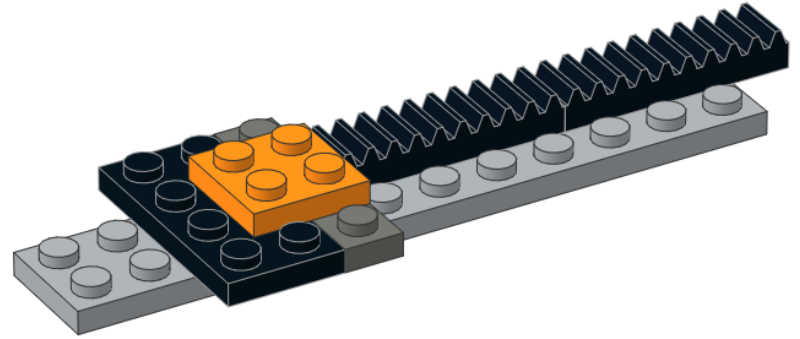




1

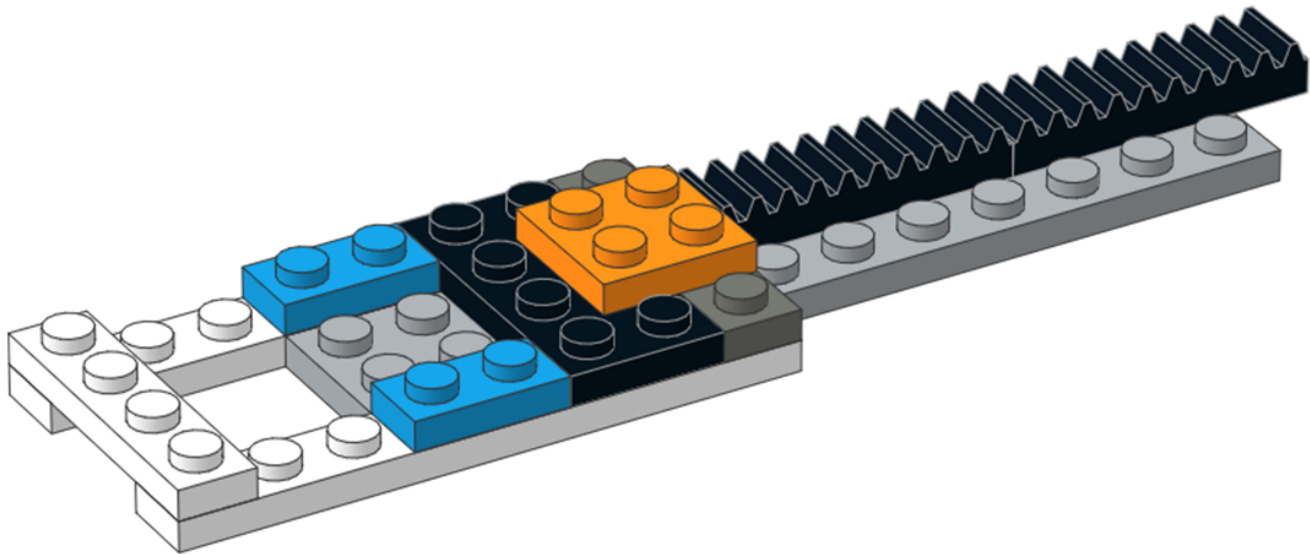


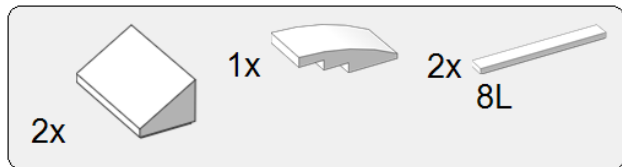
2



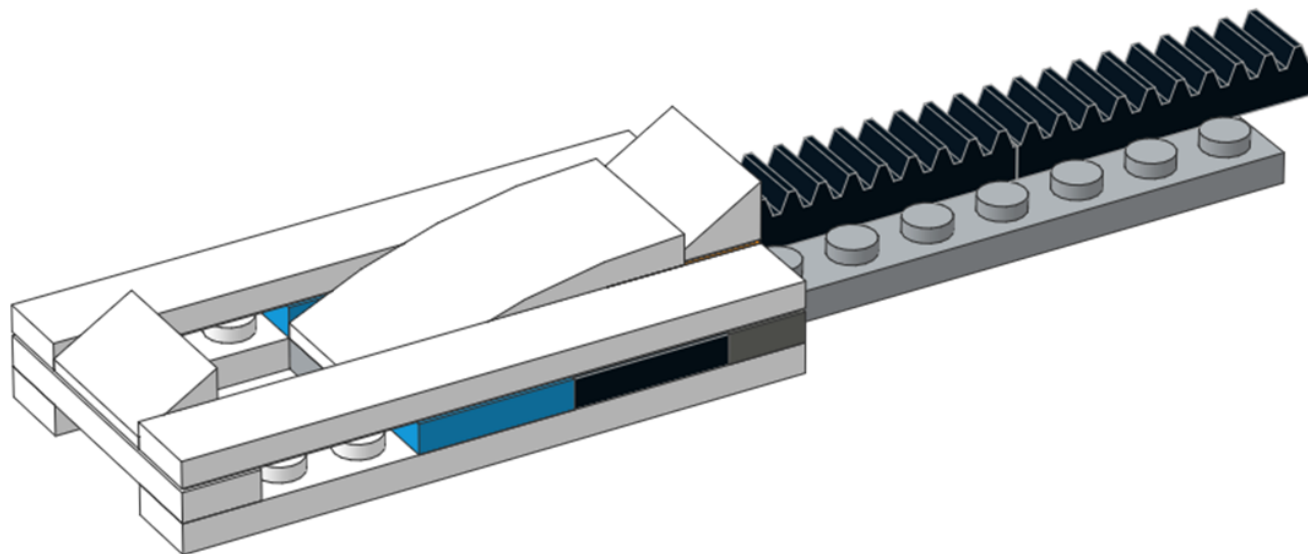


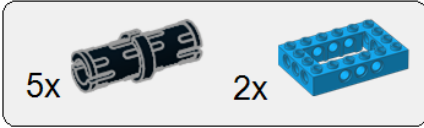
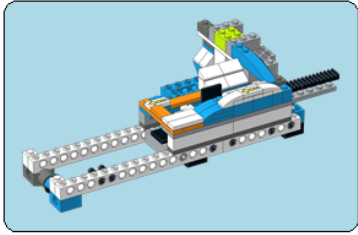
3



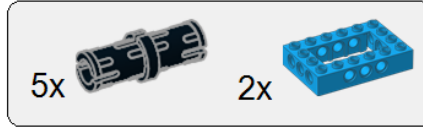
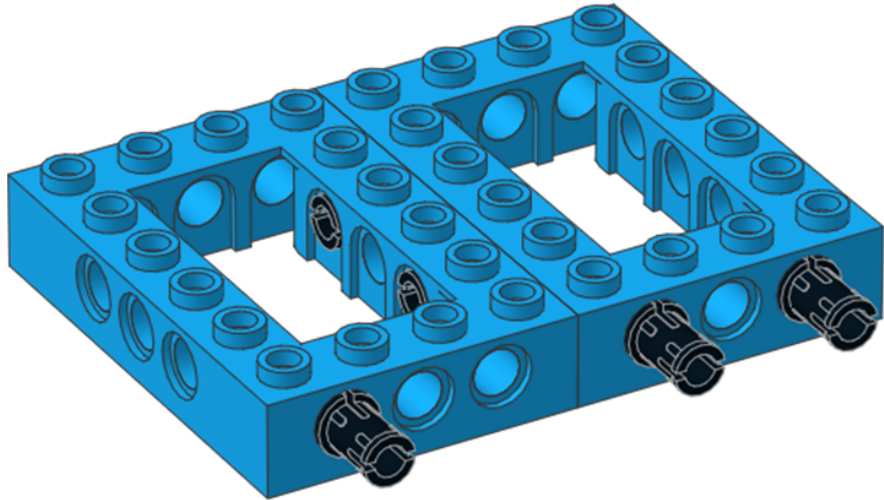


4

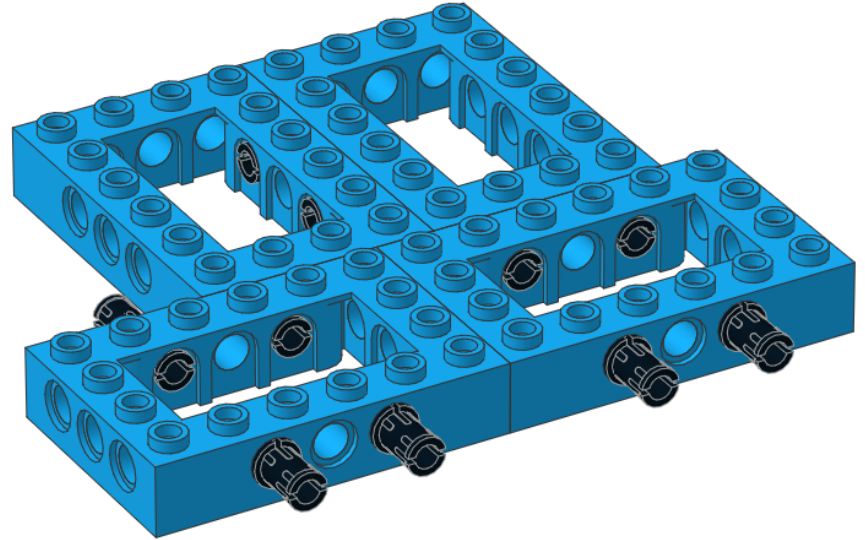


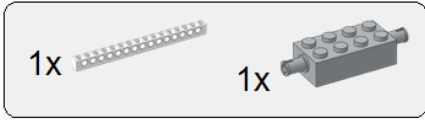


1

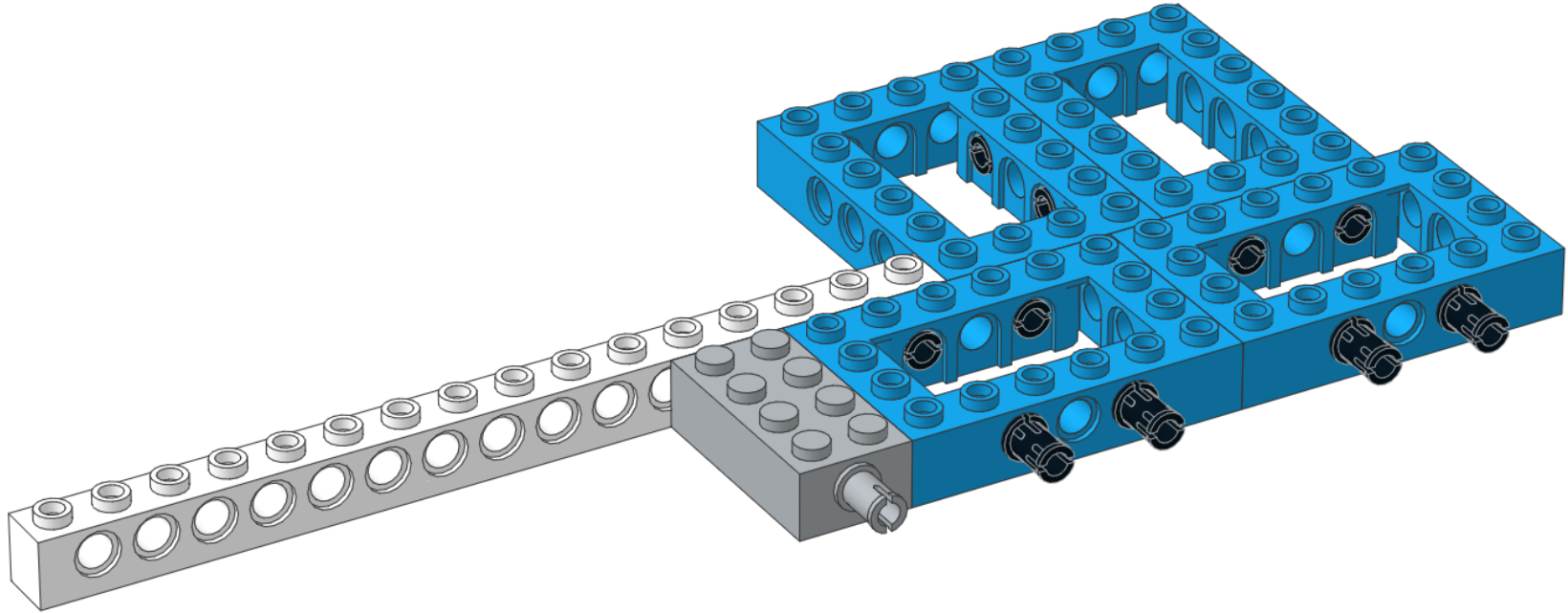


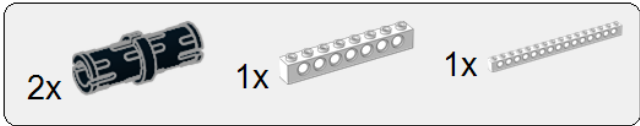
2



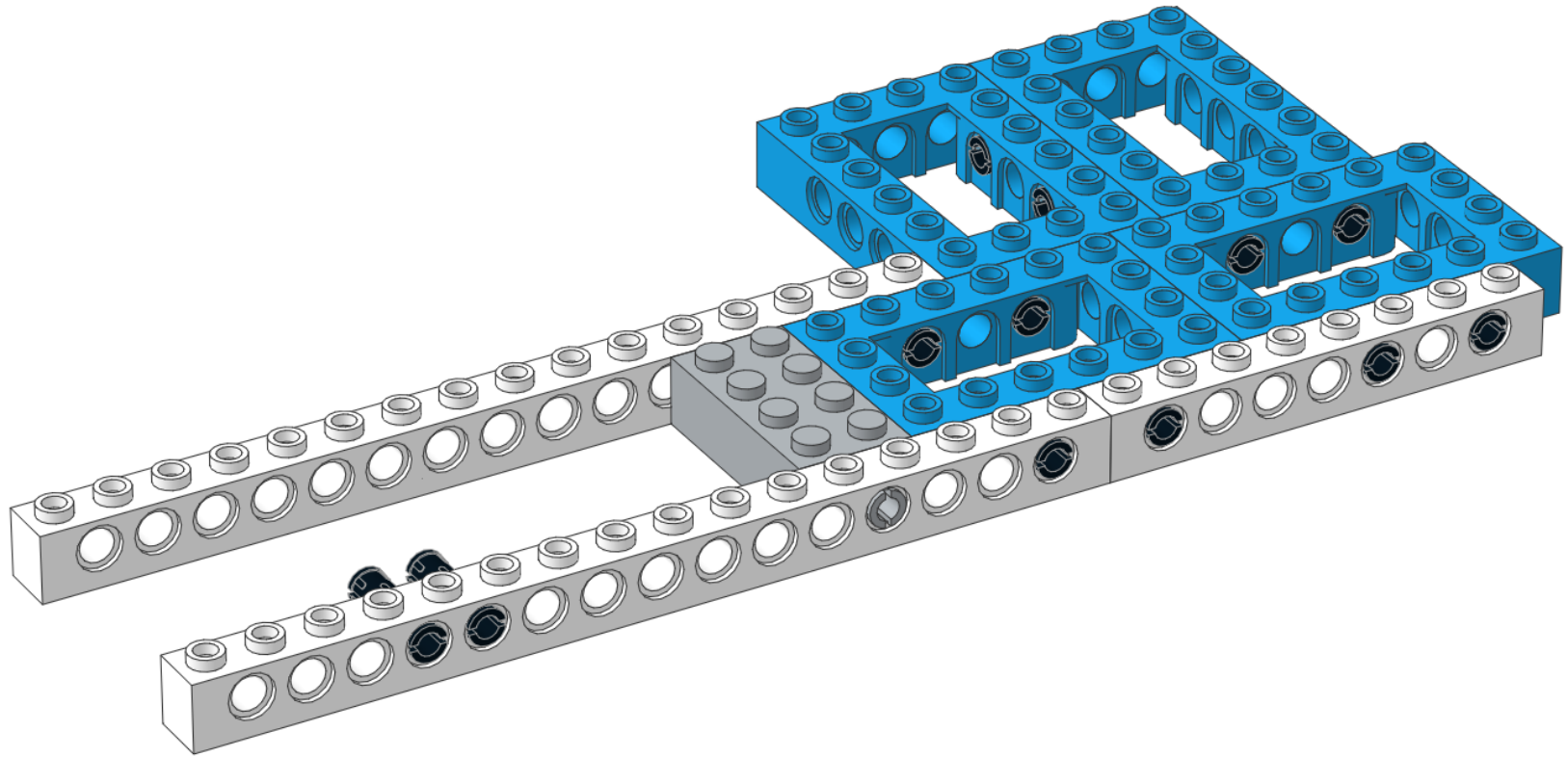


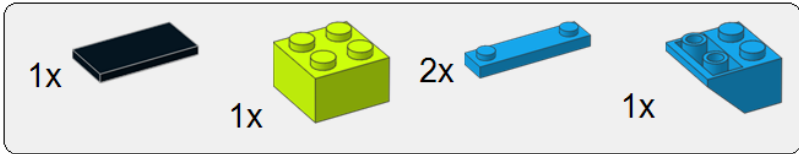
3



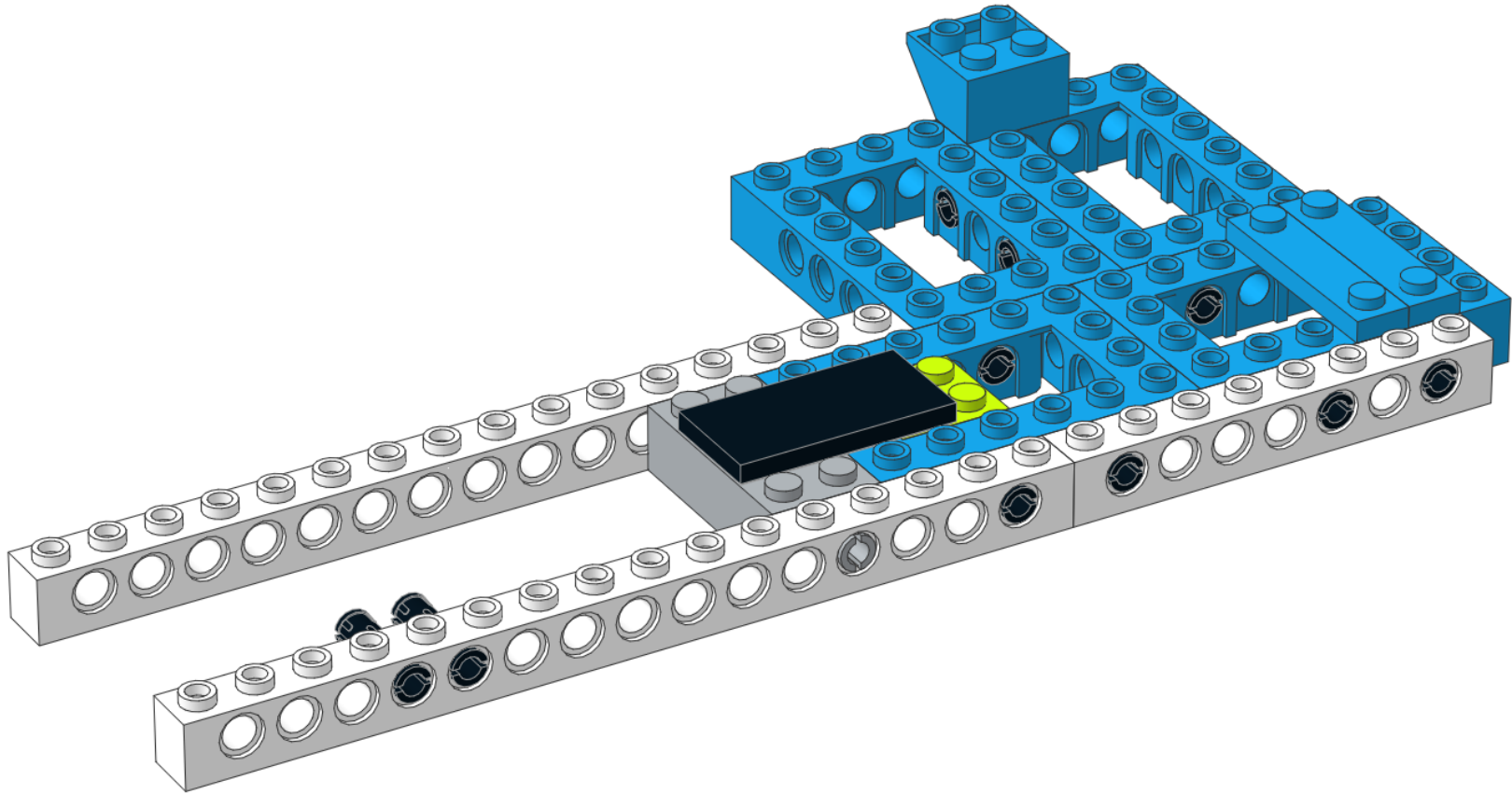


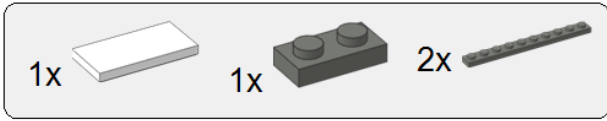
4



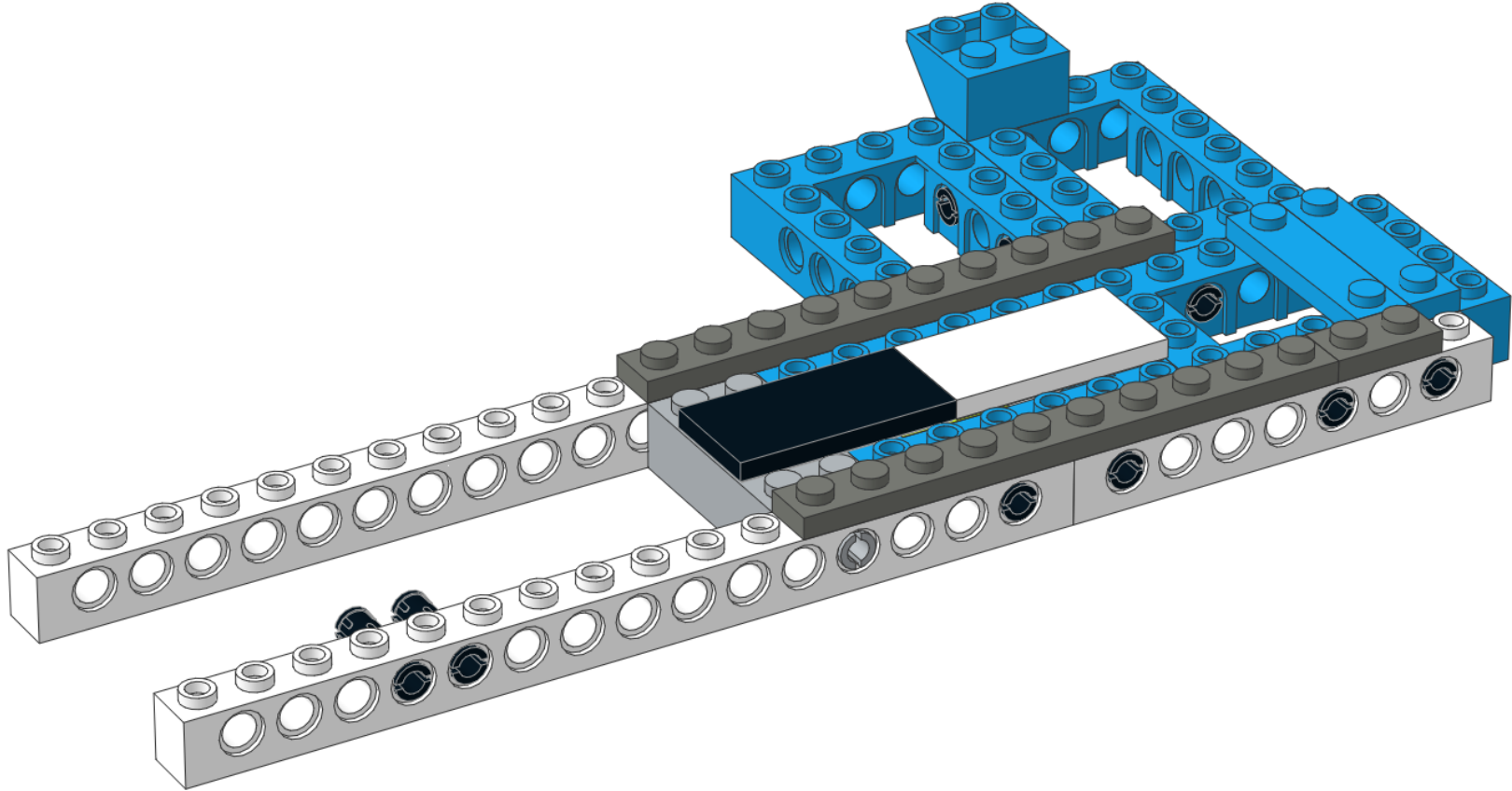


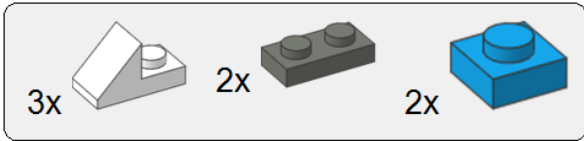
5



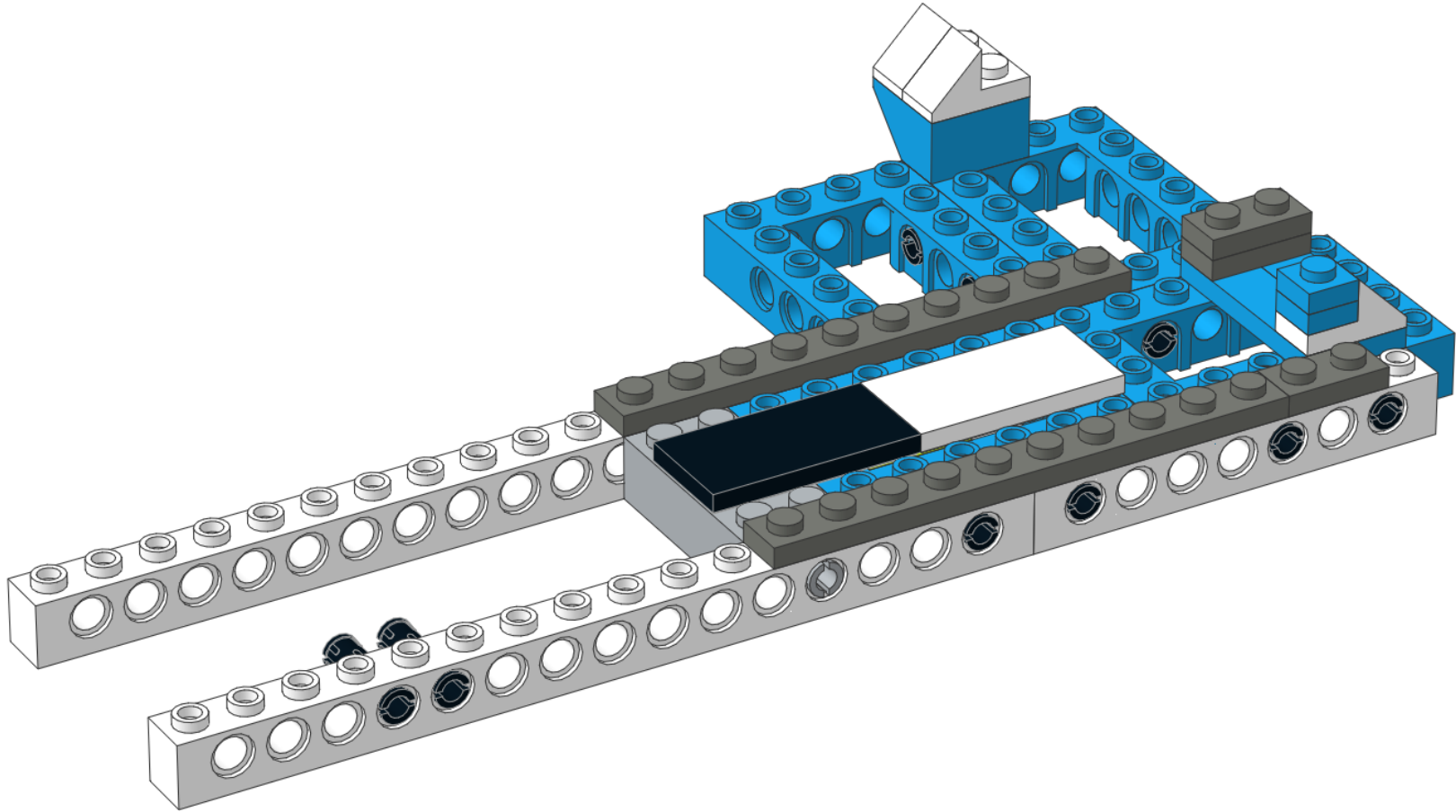


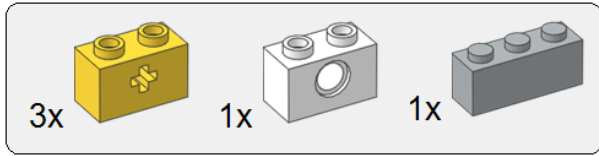
6



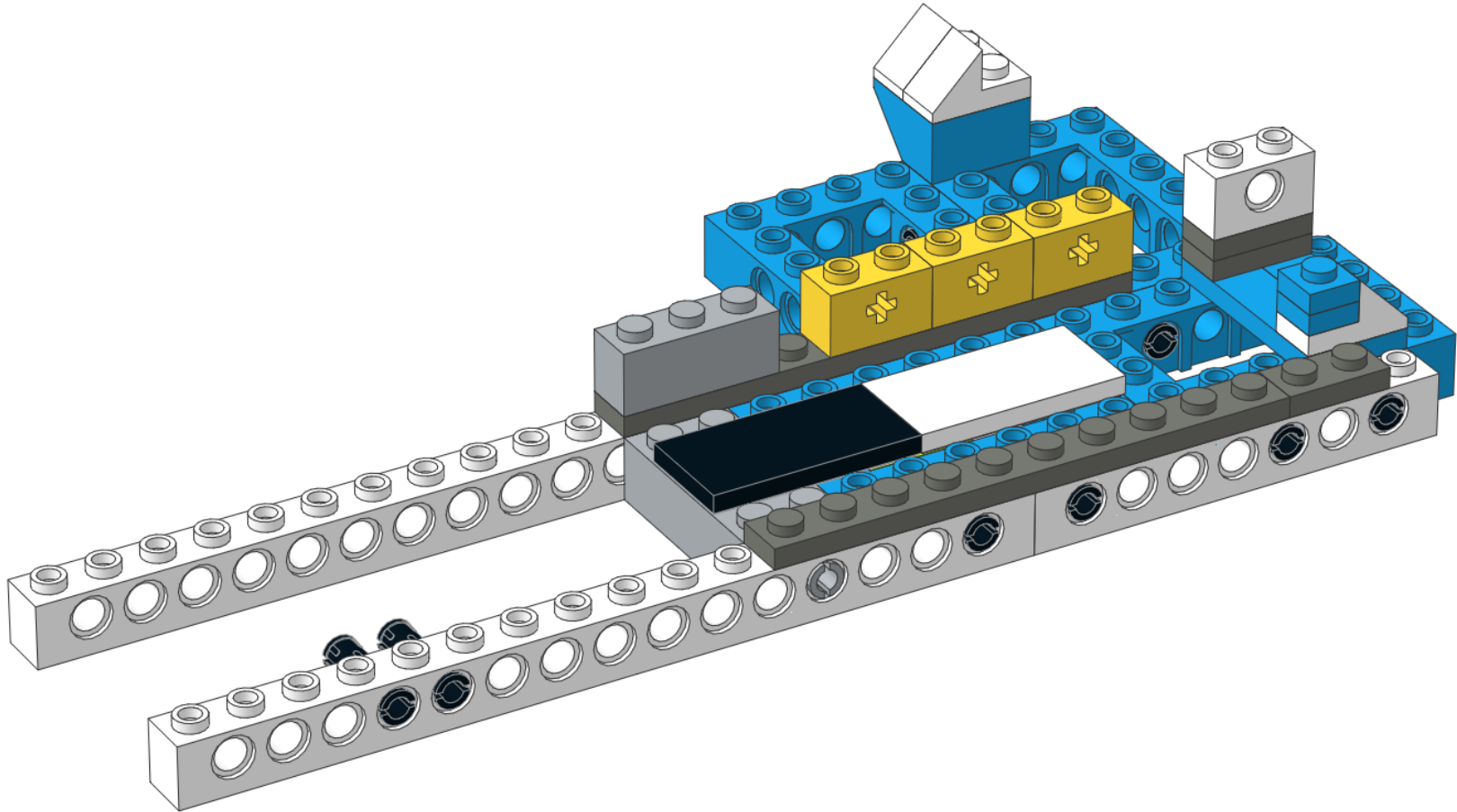





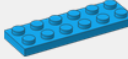
7



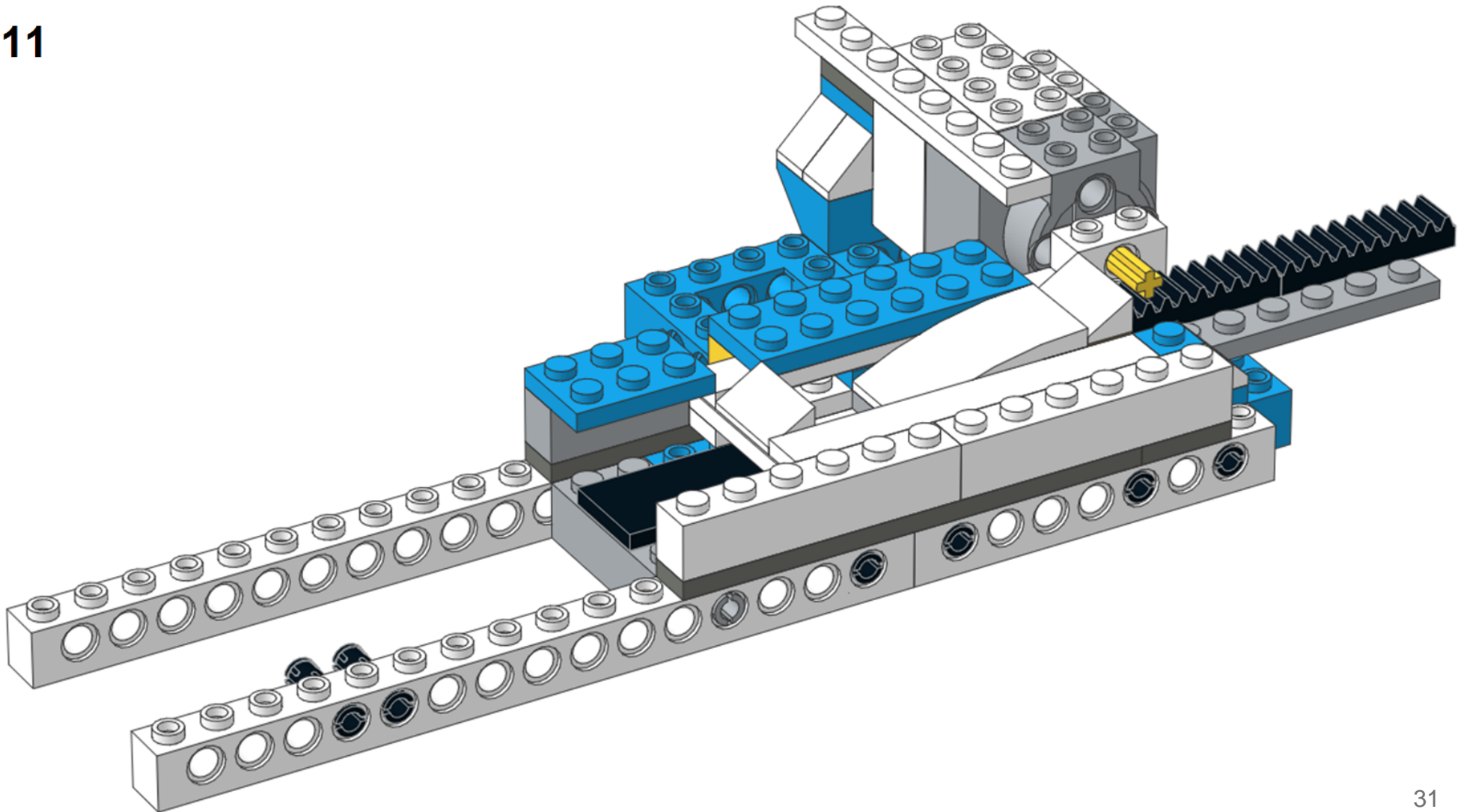


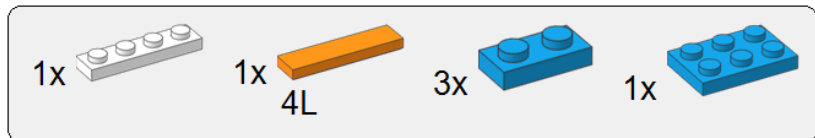
8



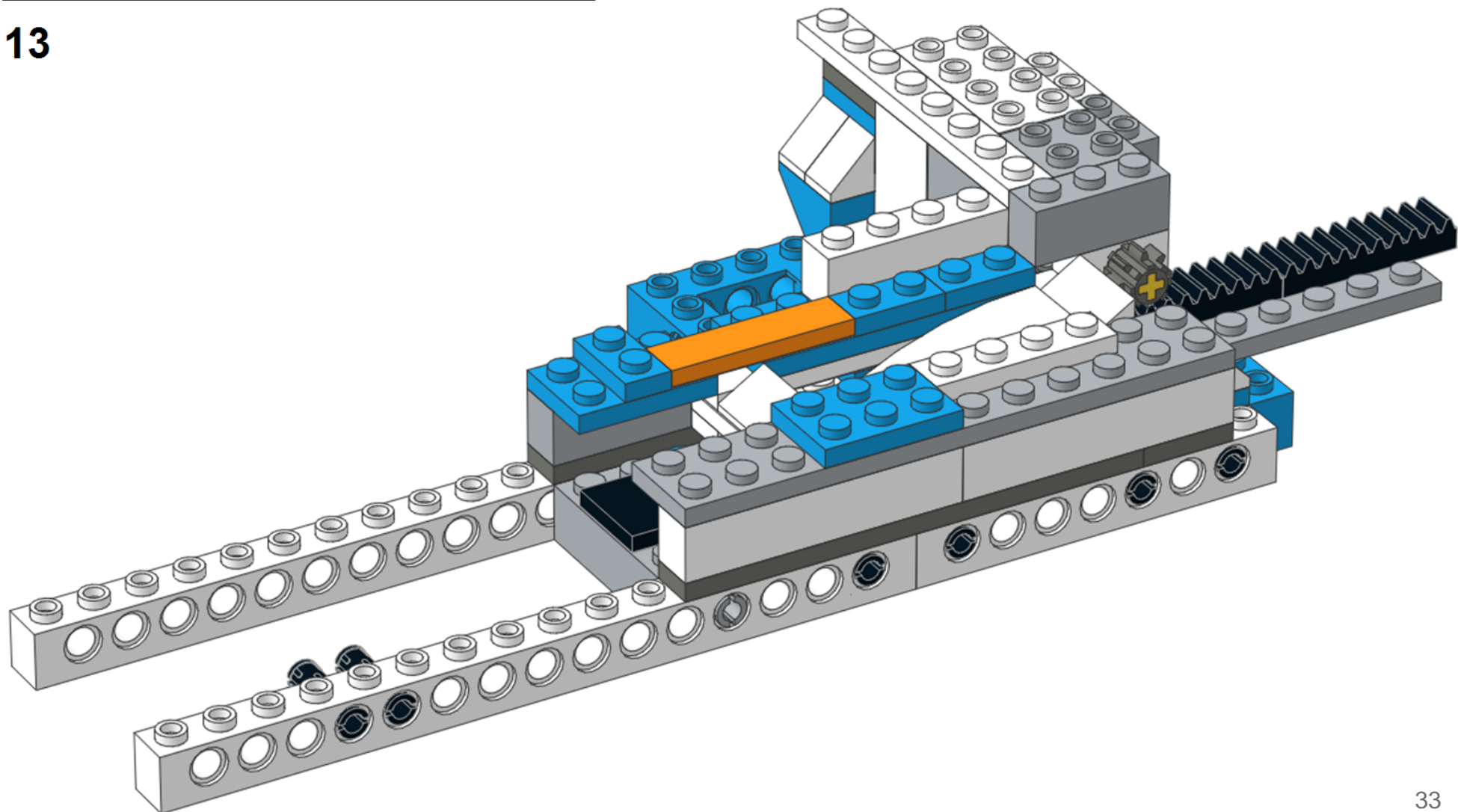
1x  3L 1x  1x  1x 

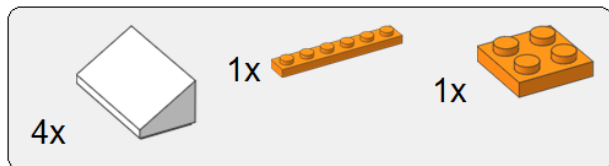
11



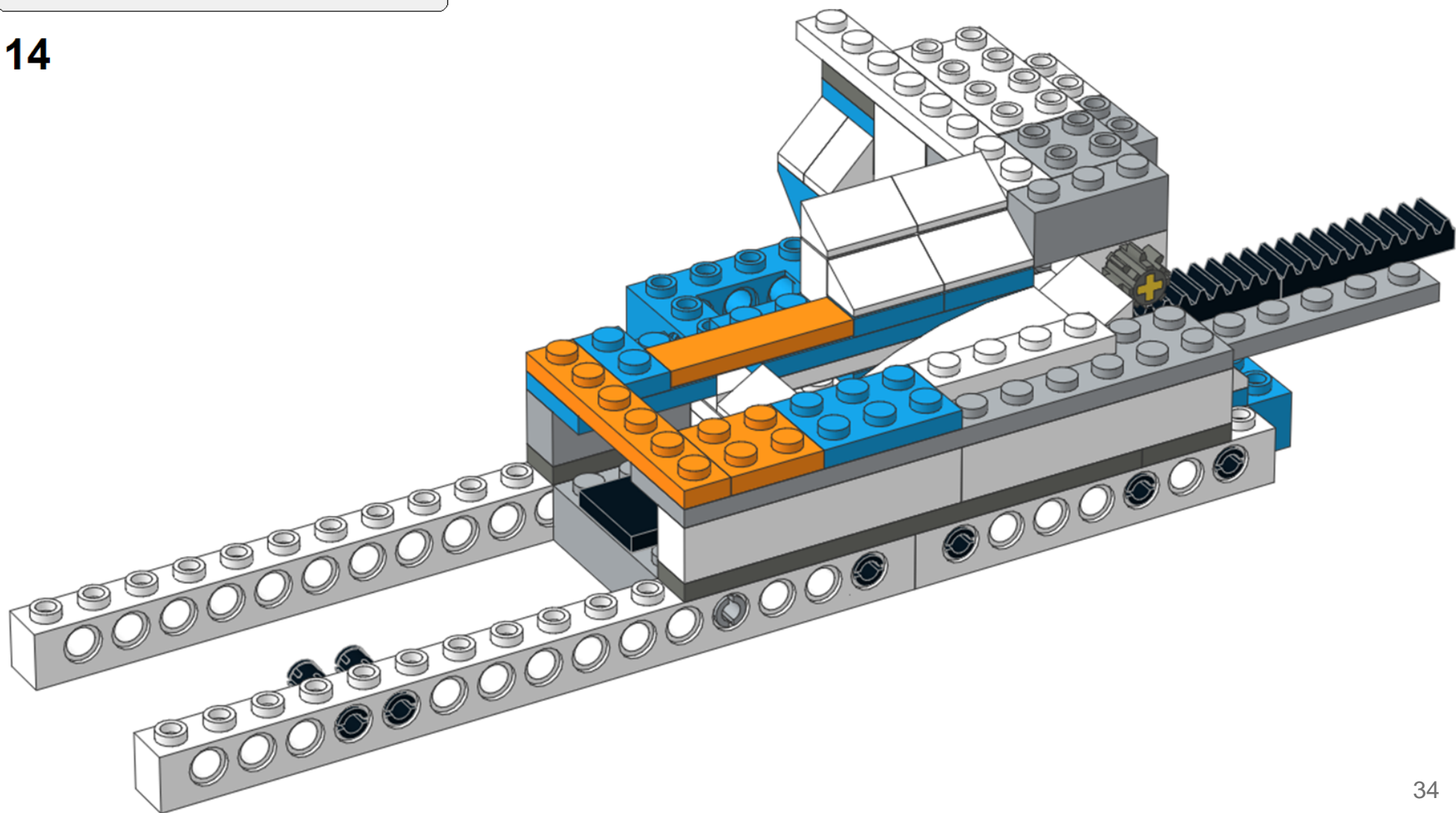


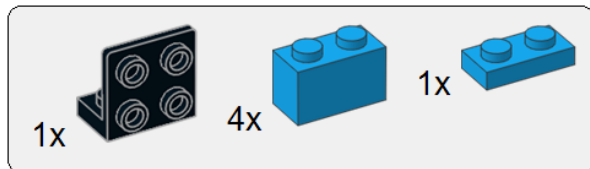
13



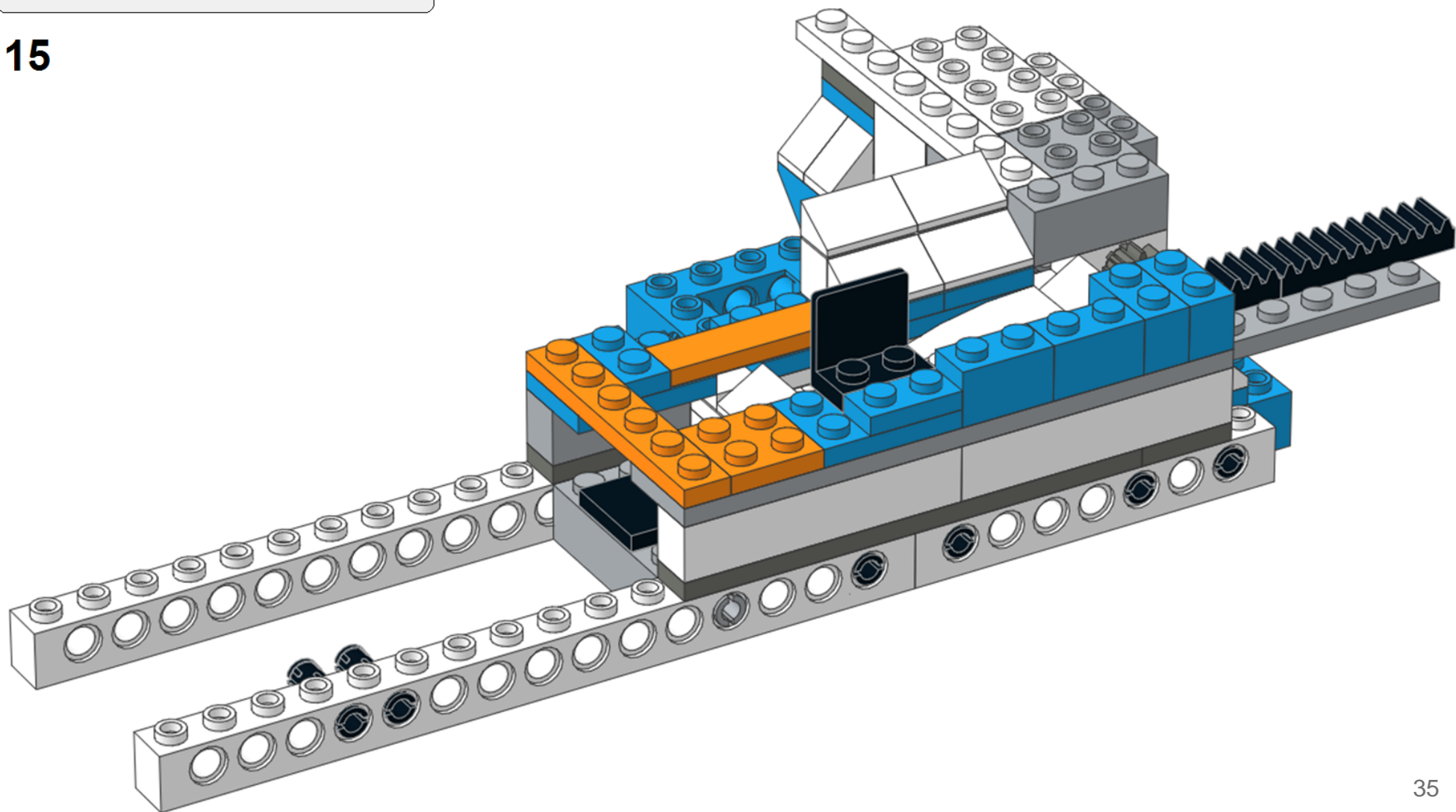


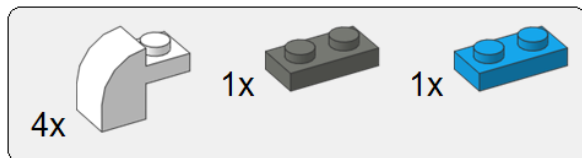
14



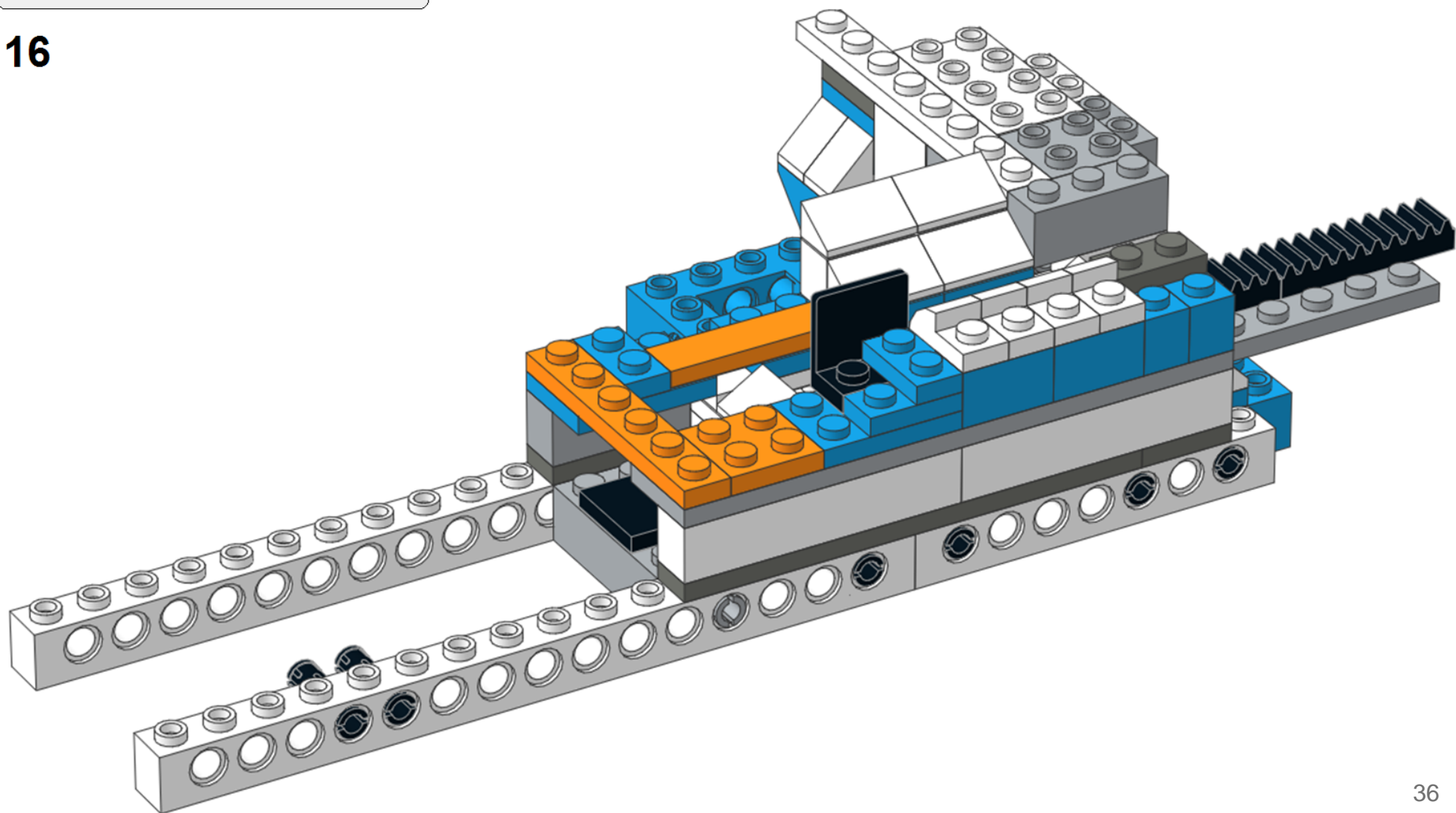


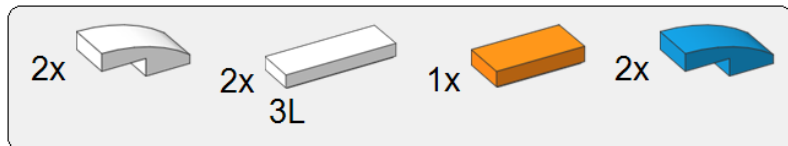
15



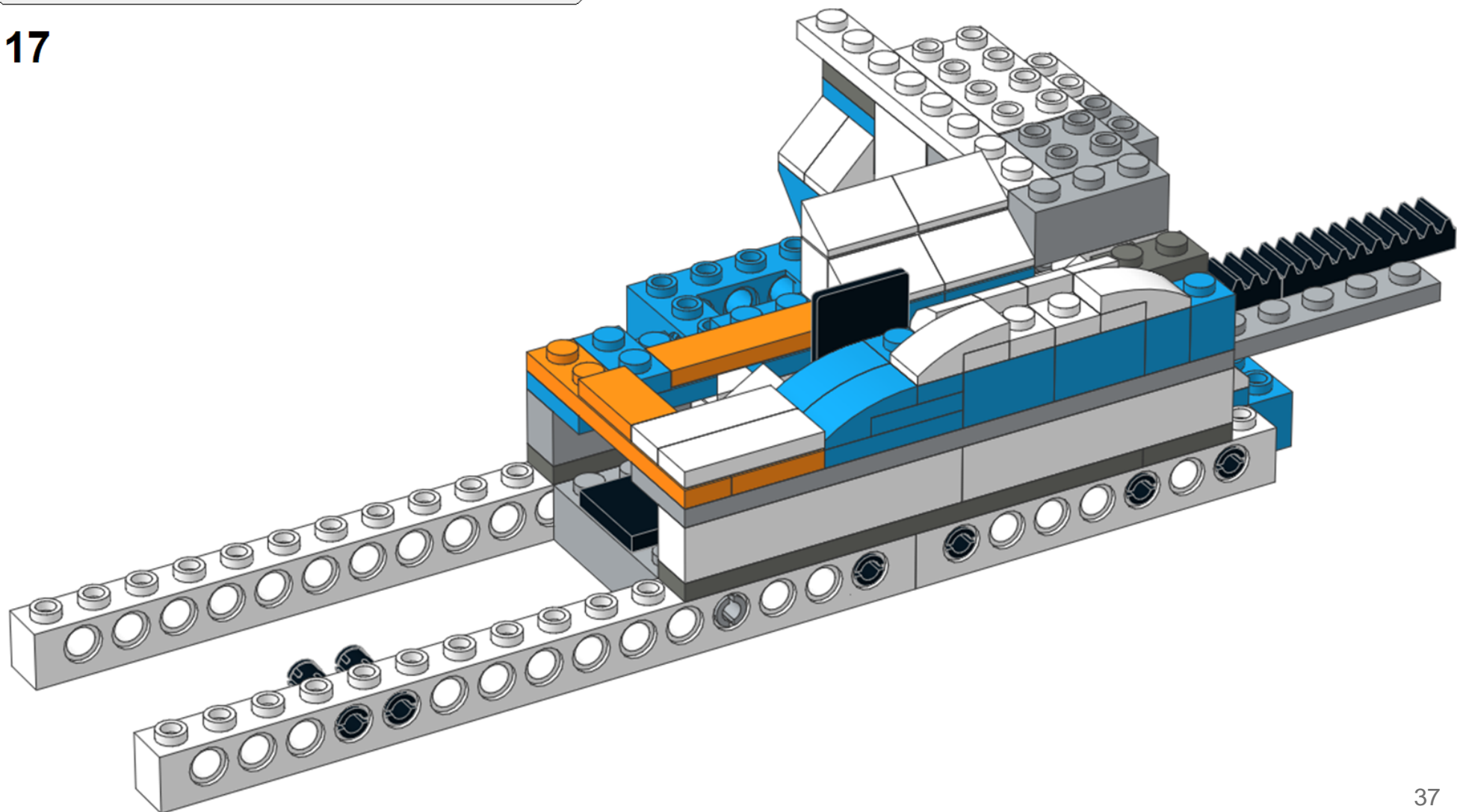


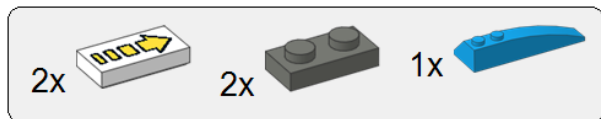
16



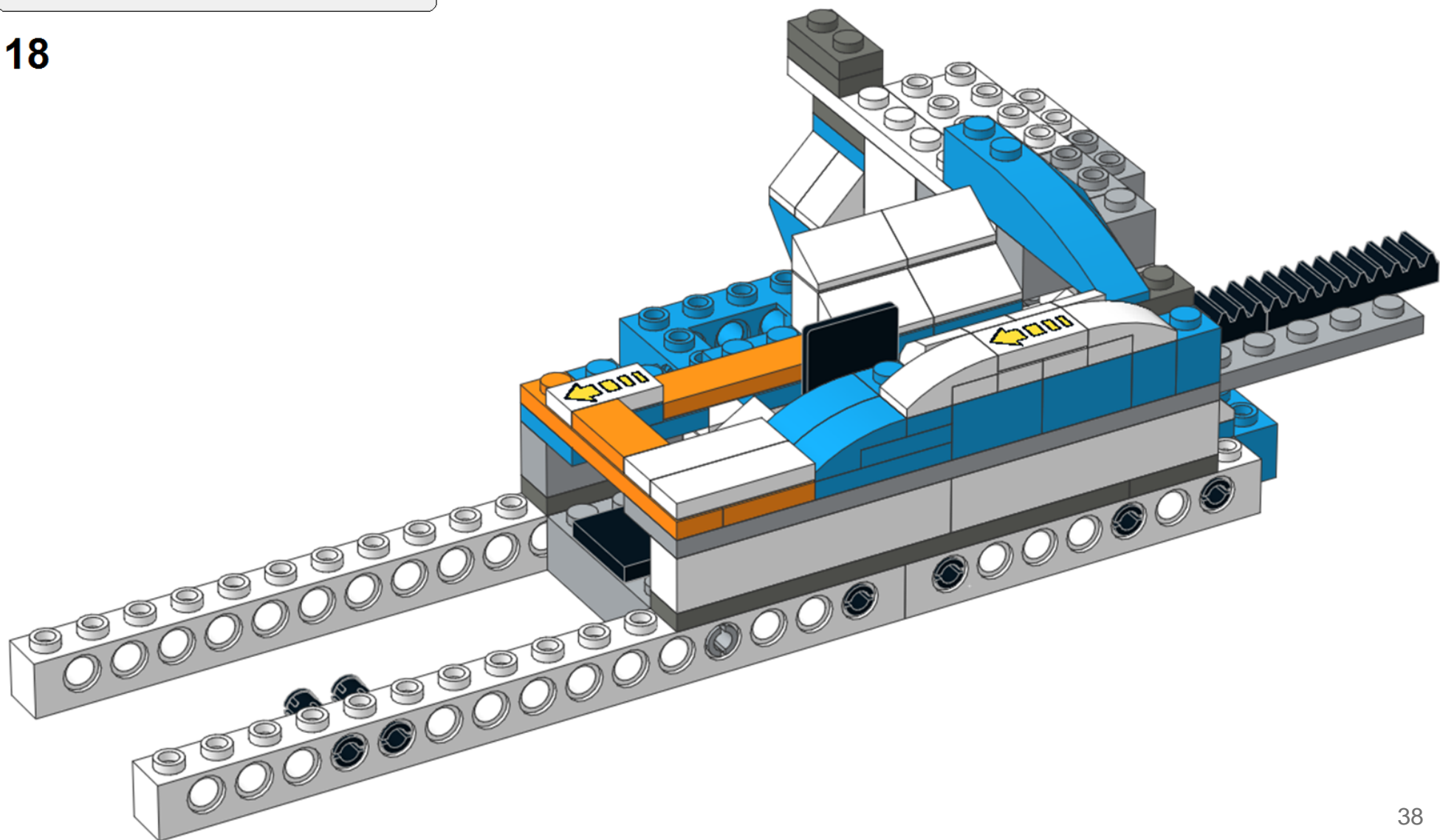


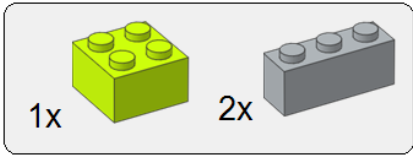
17



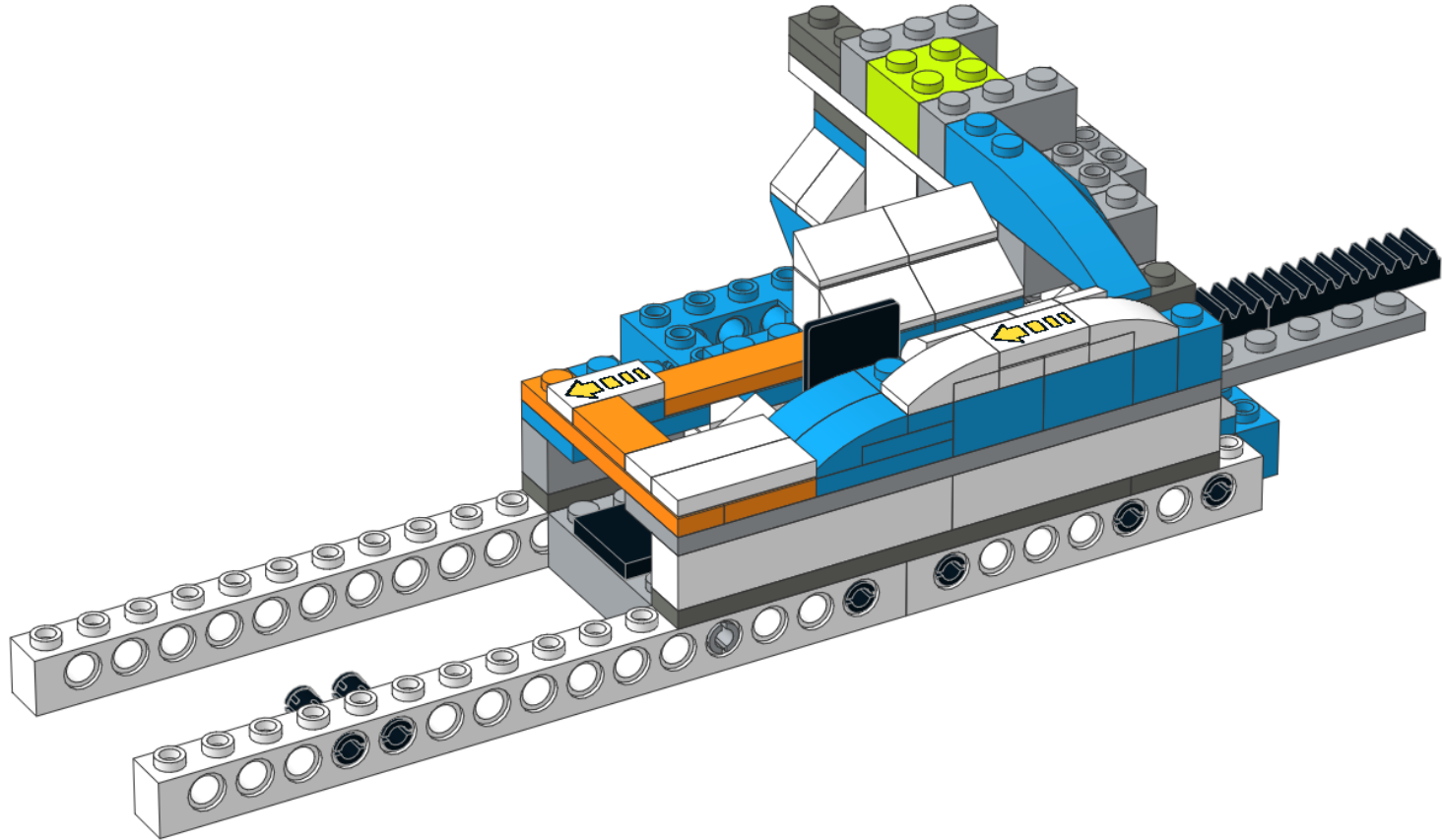


18



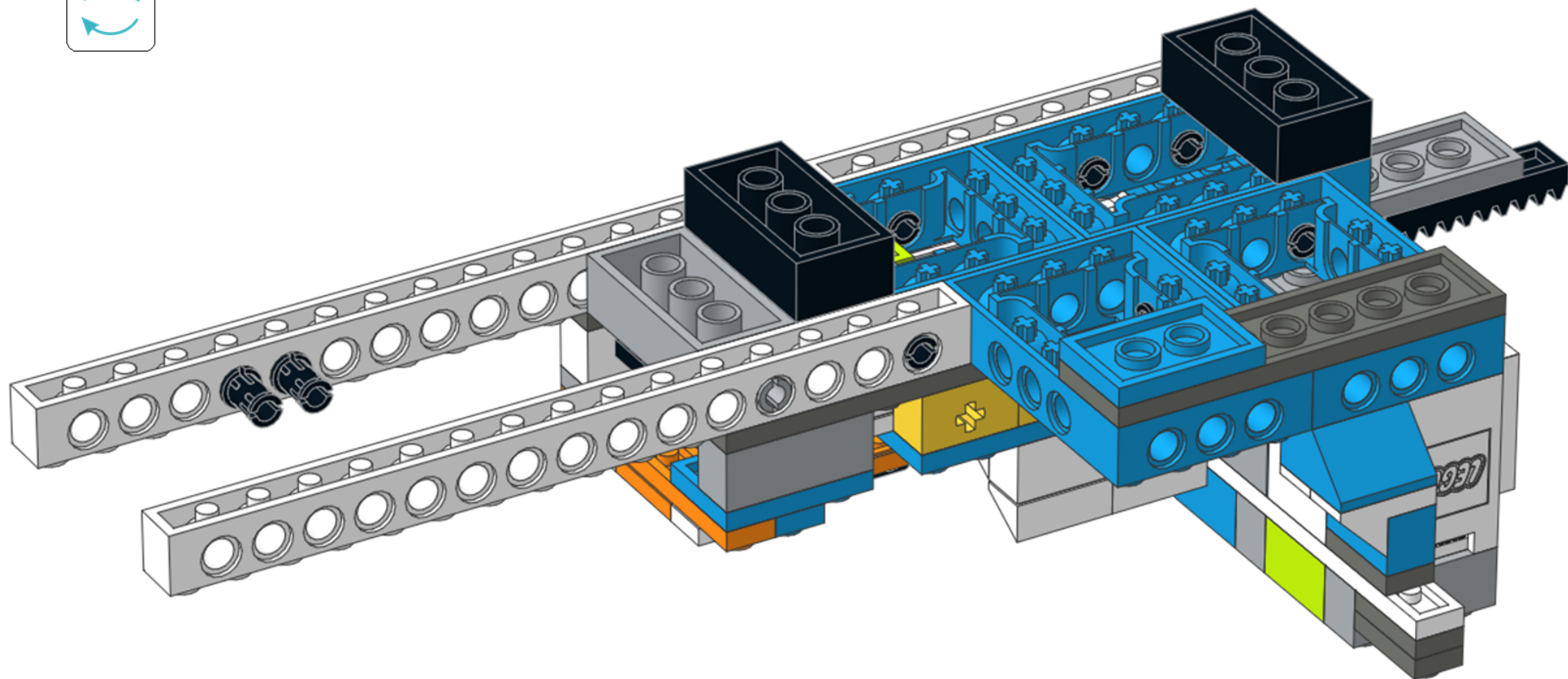


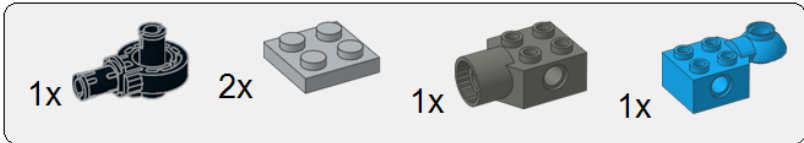
19



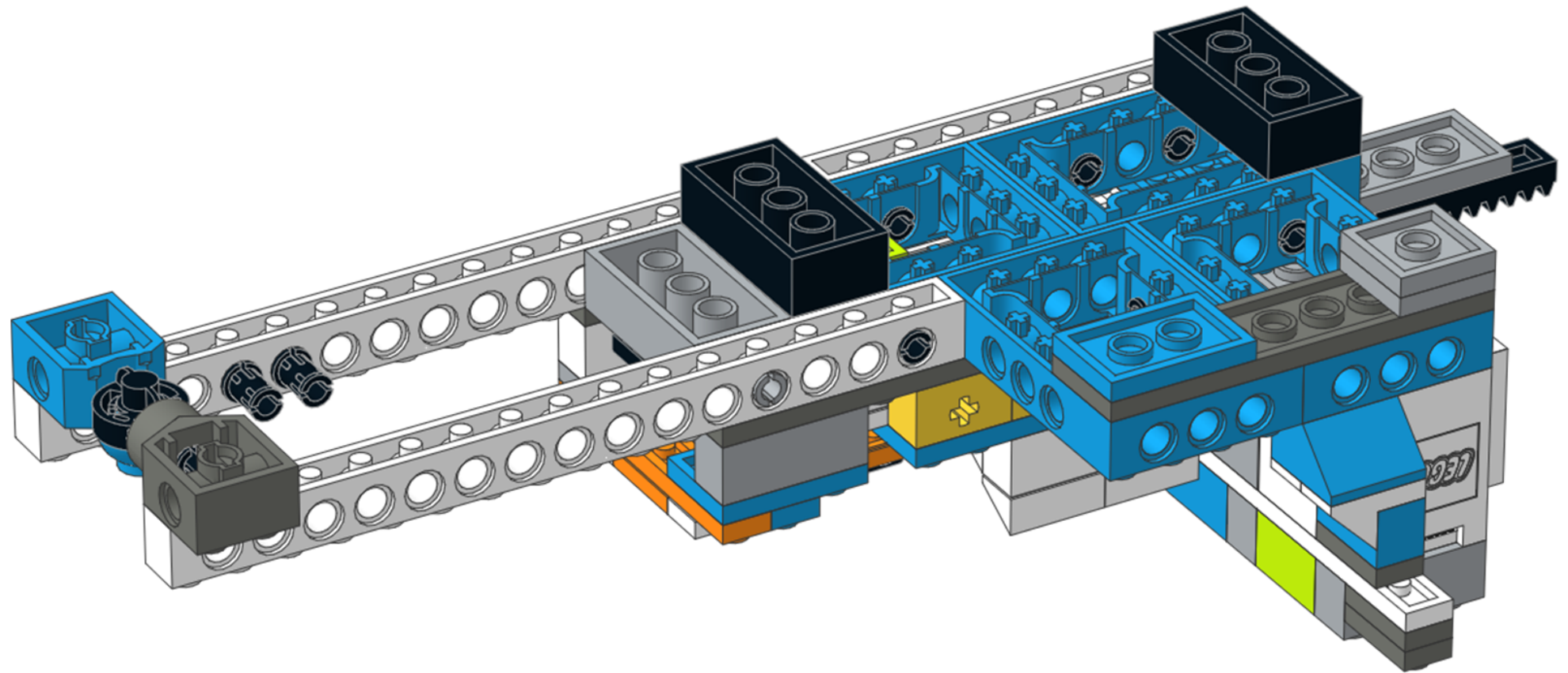


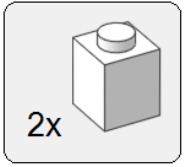
20



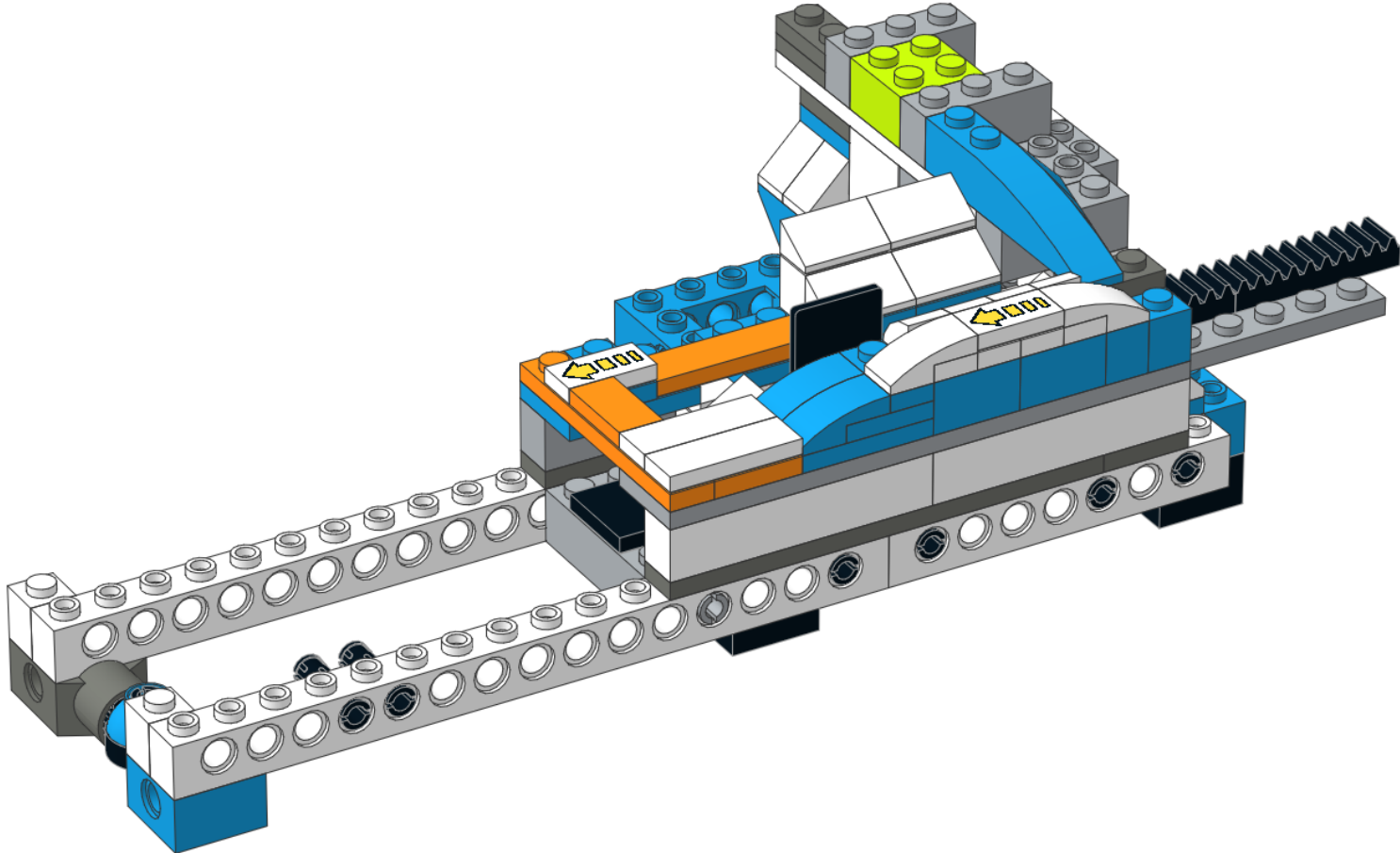


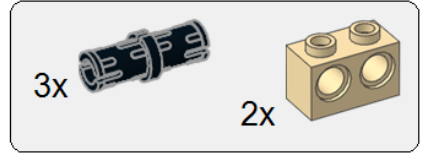
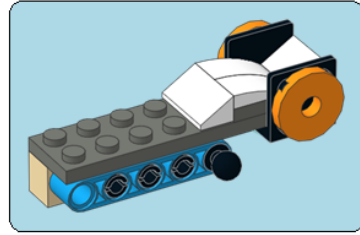
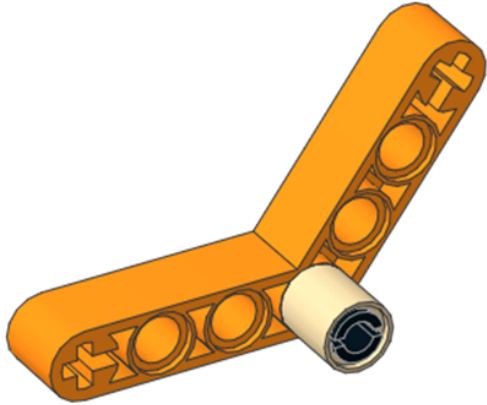
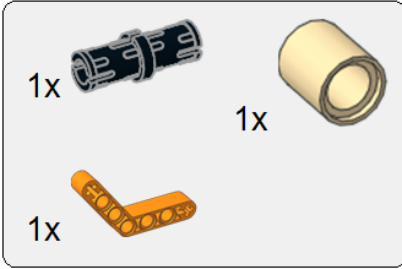
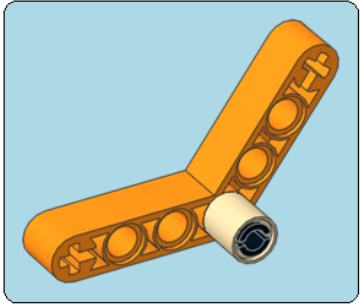
21



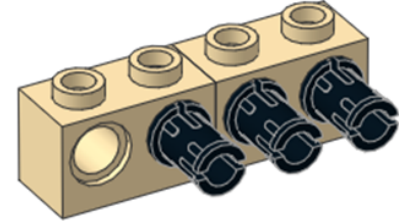


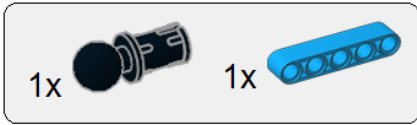
22



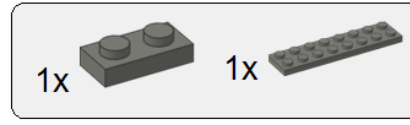
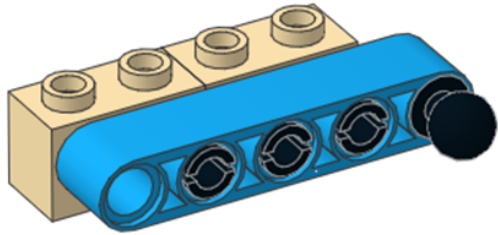


1

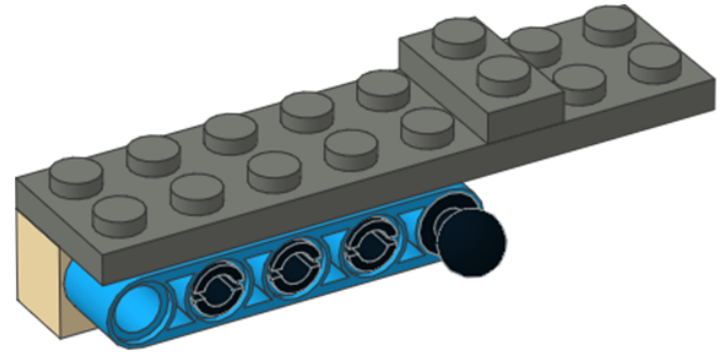


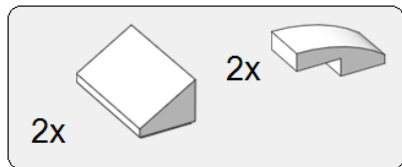


2

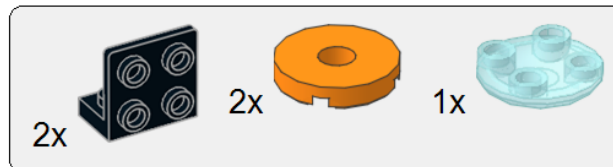
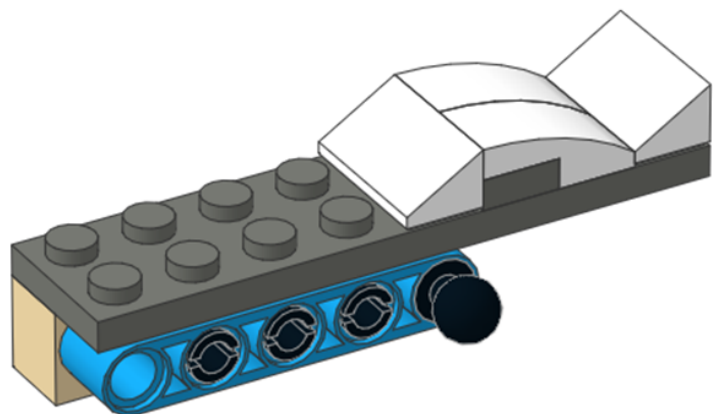


3

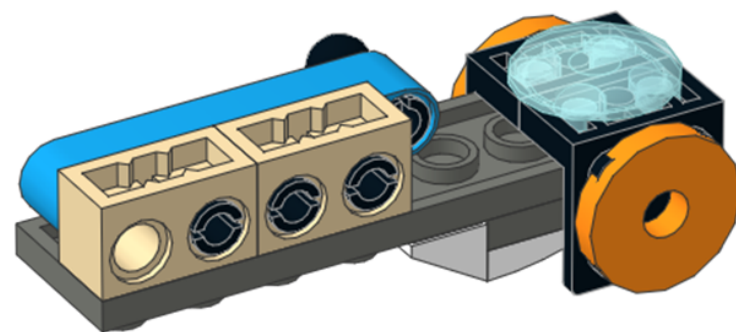


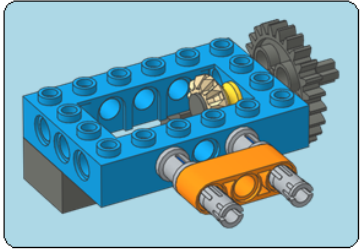


4

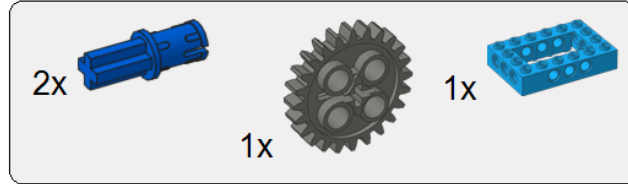
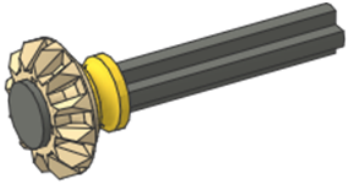


5

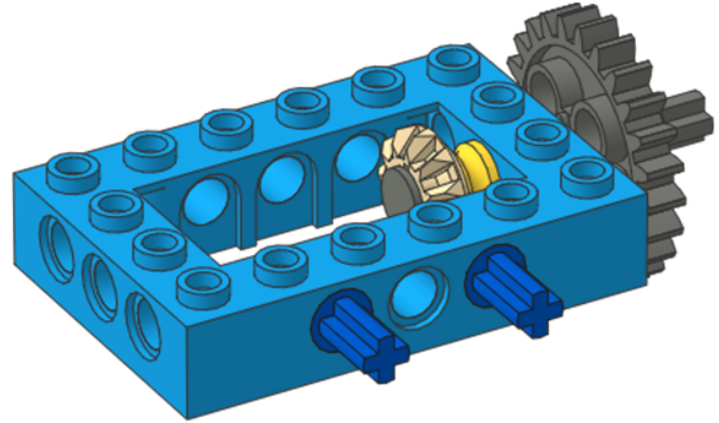


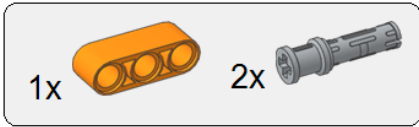


1

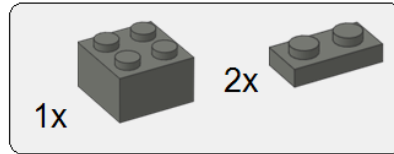
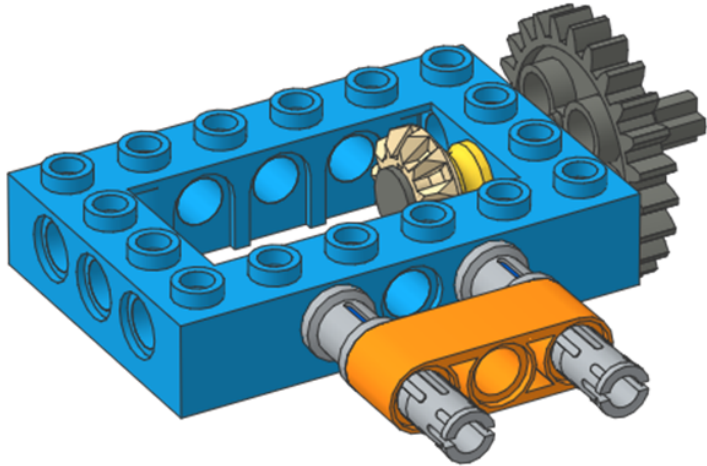


2

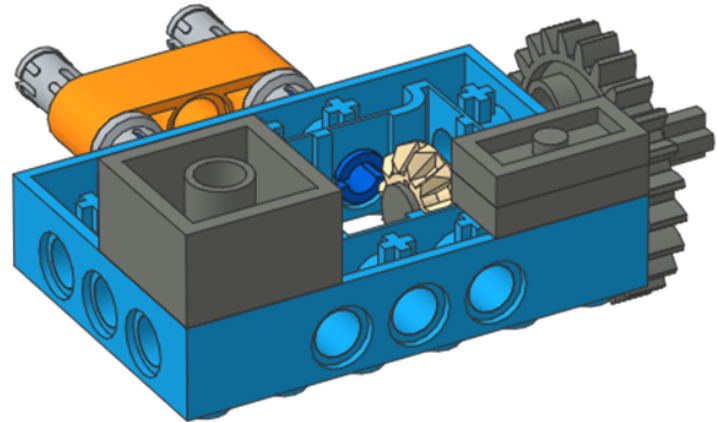







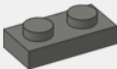
3



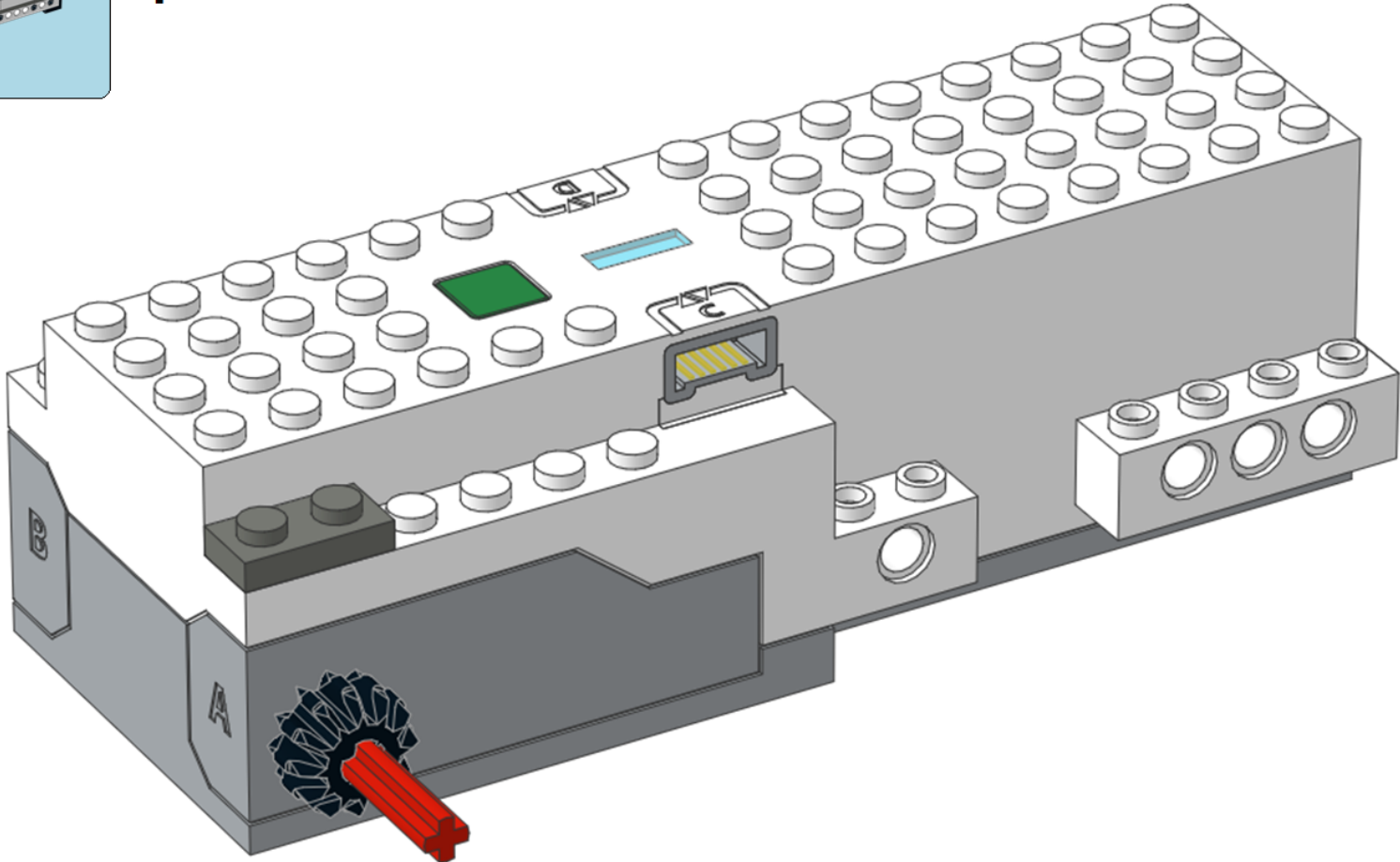
4

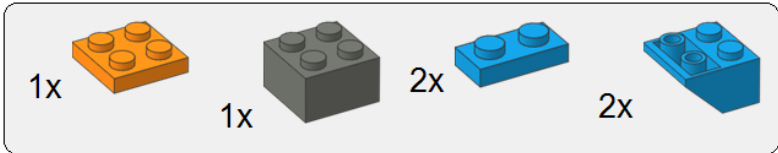




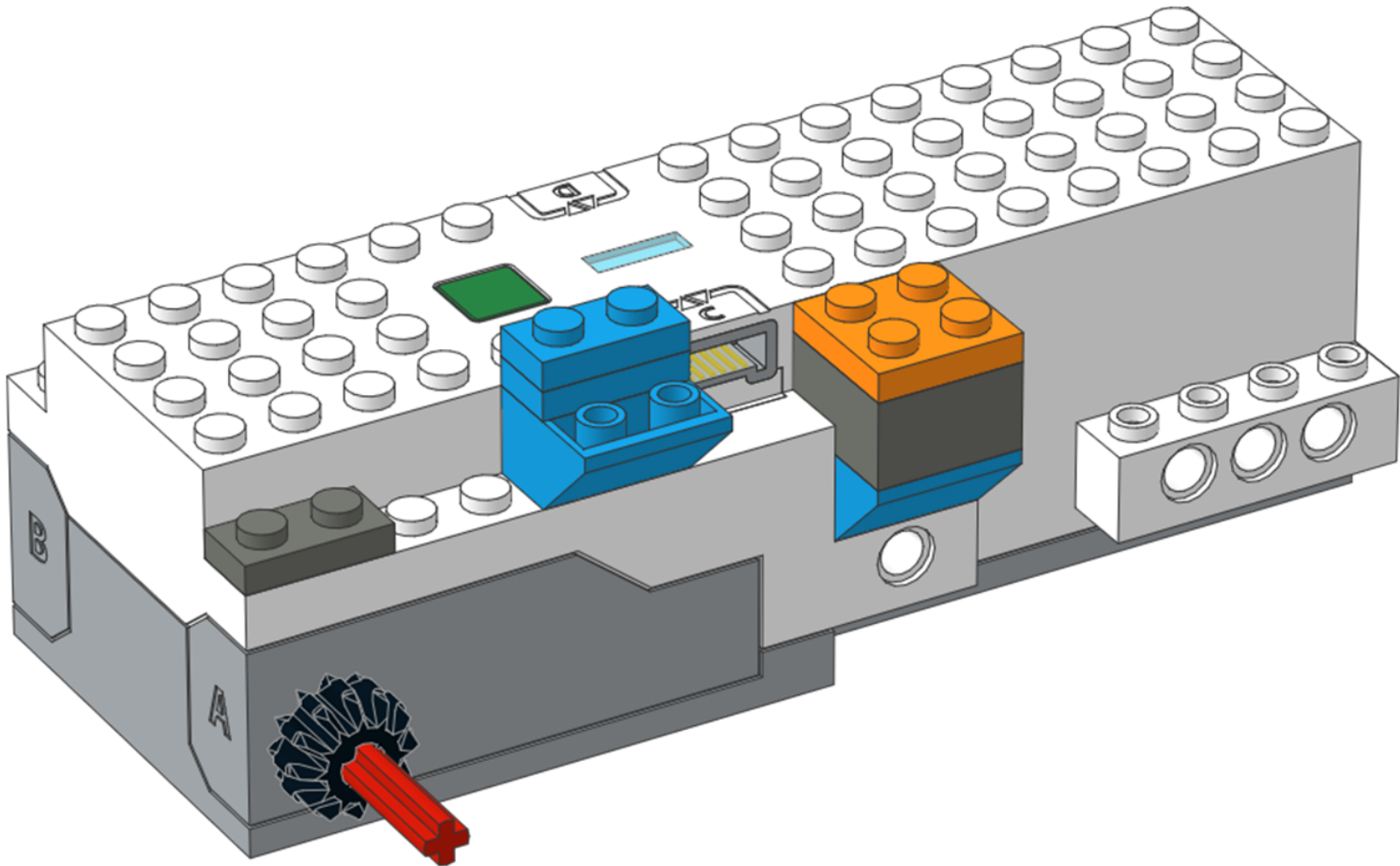
- 1x  1x  4L
- 1x  1x 

1



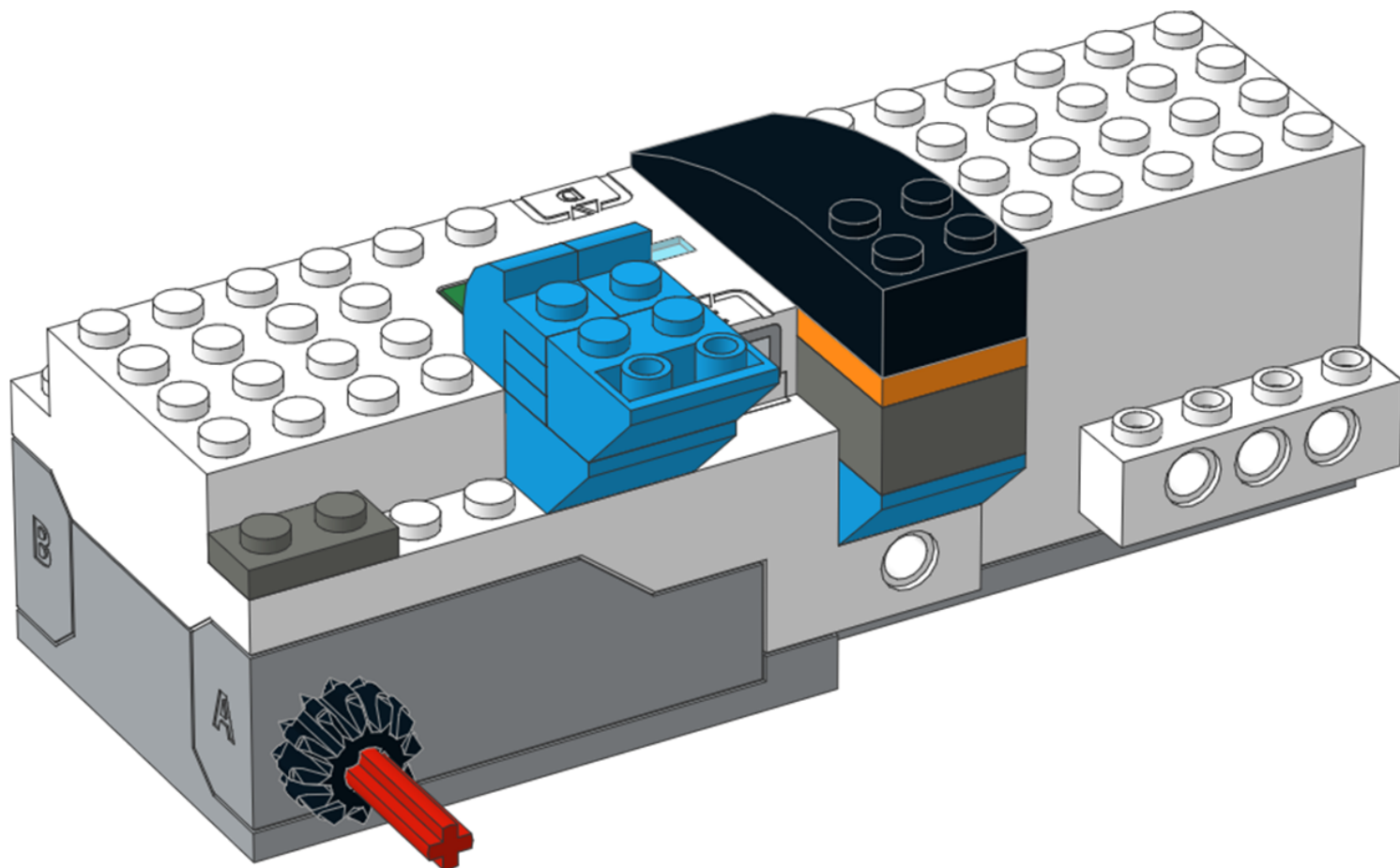


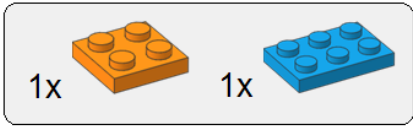
2



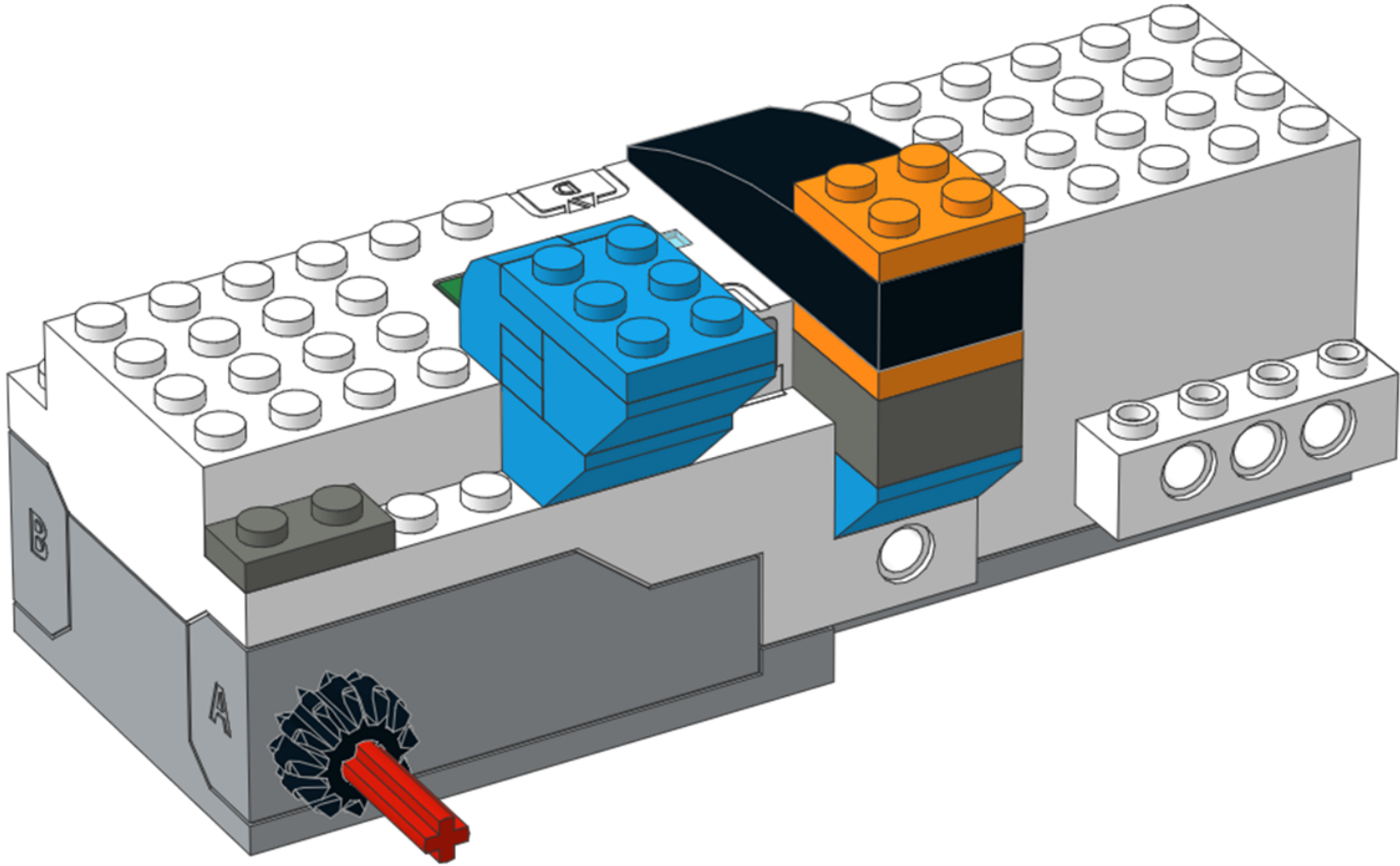


3



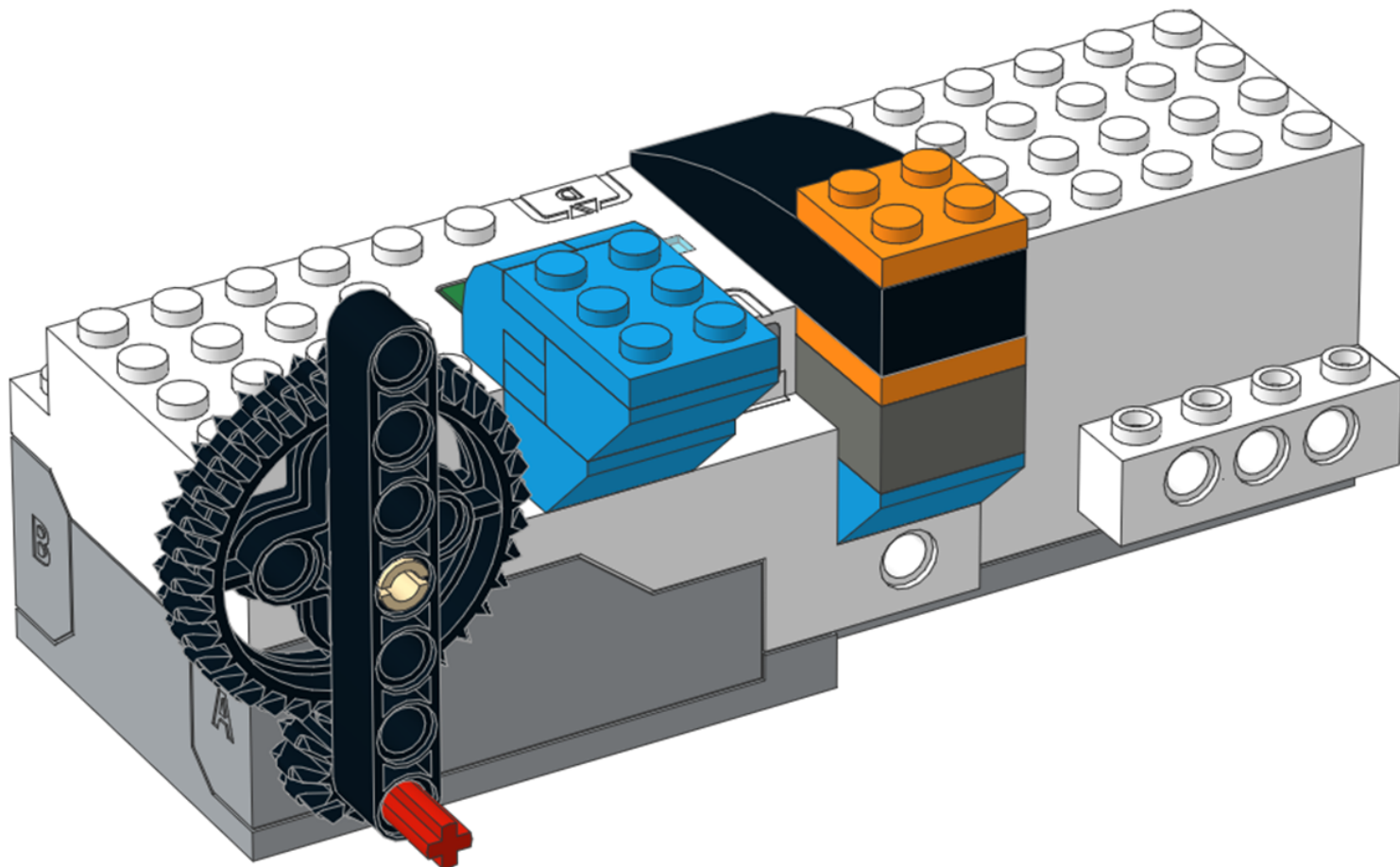


4



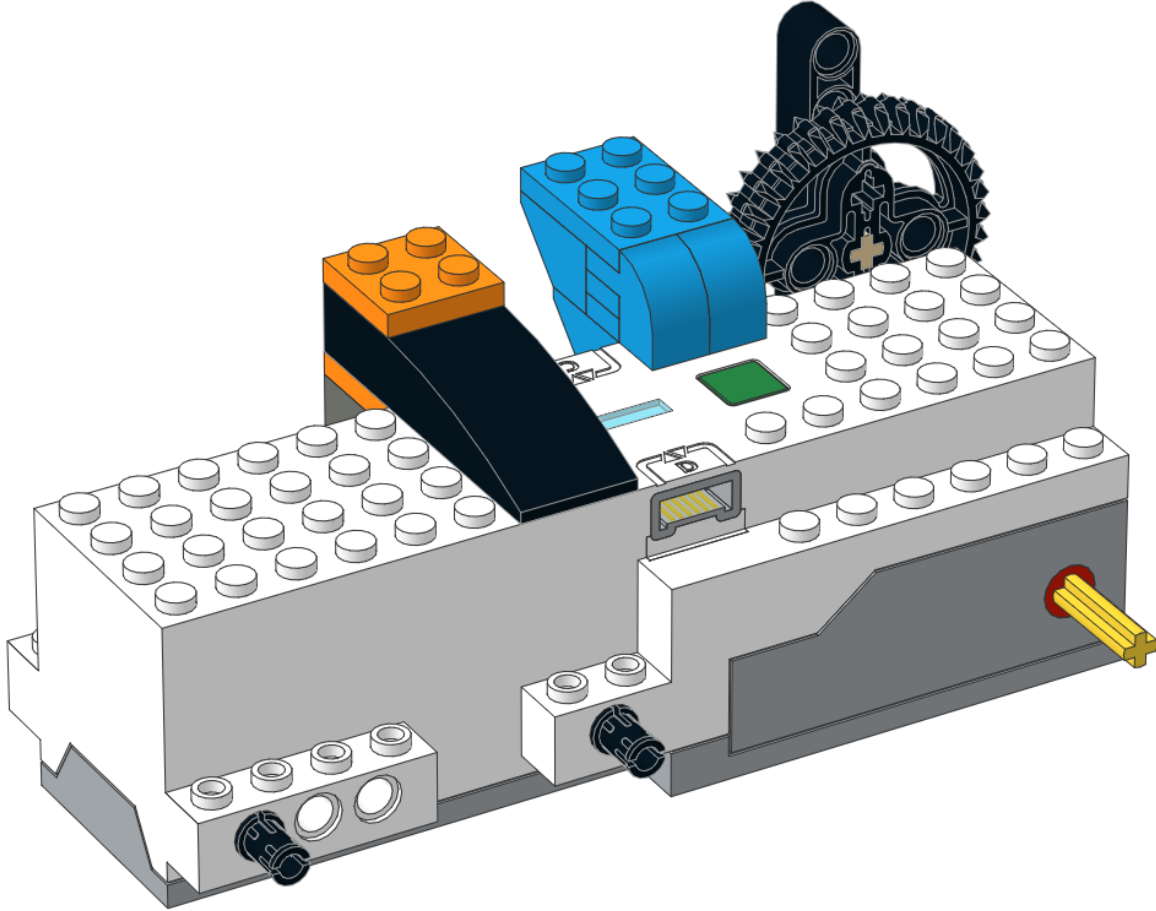


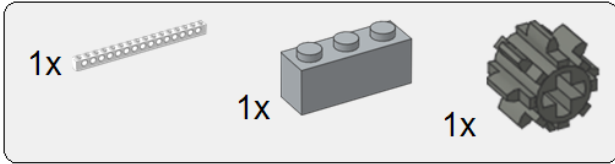
5



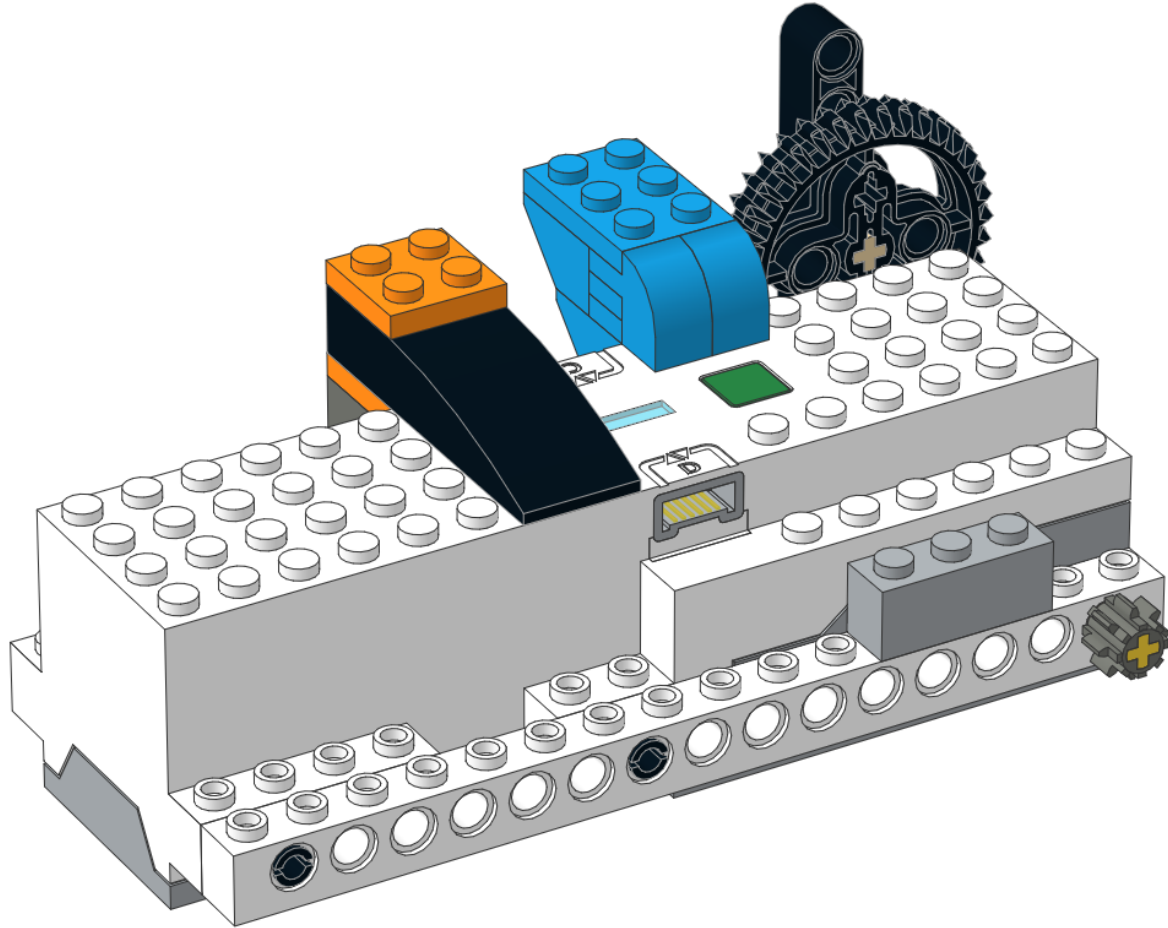


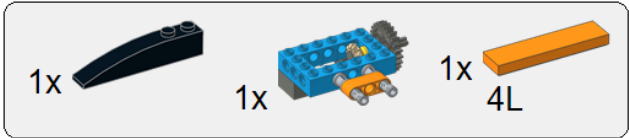
6



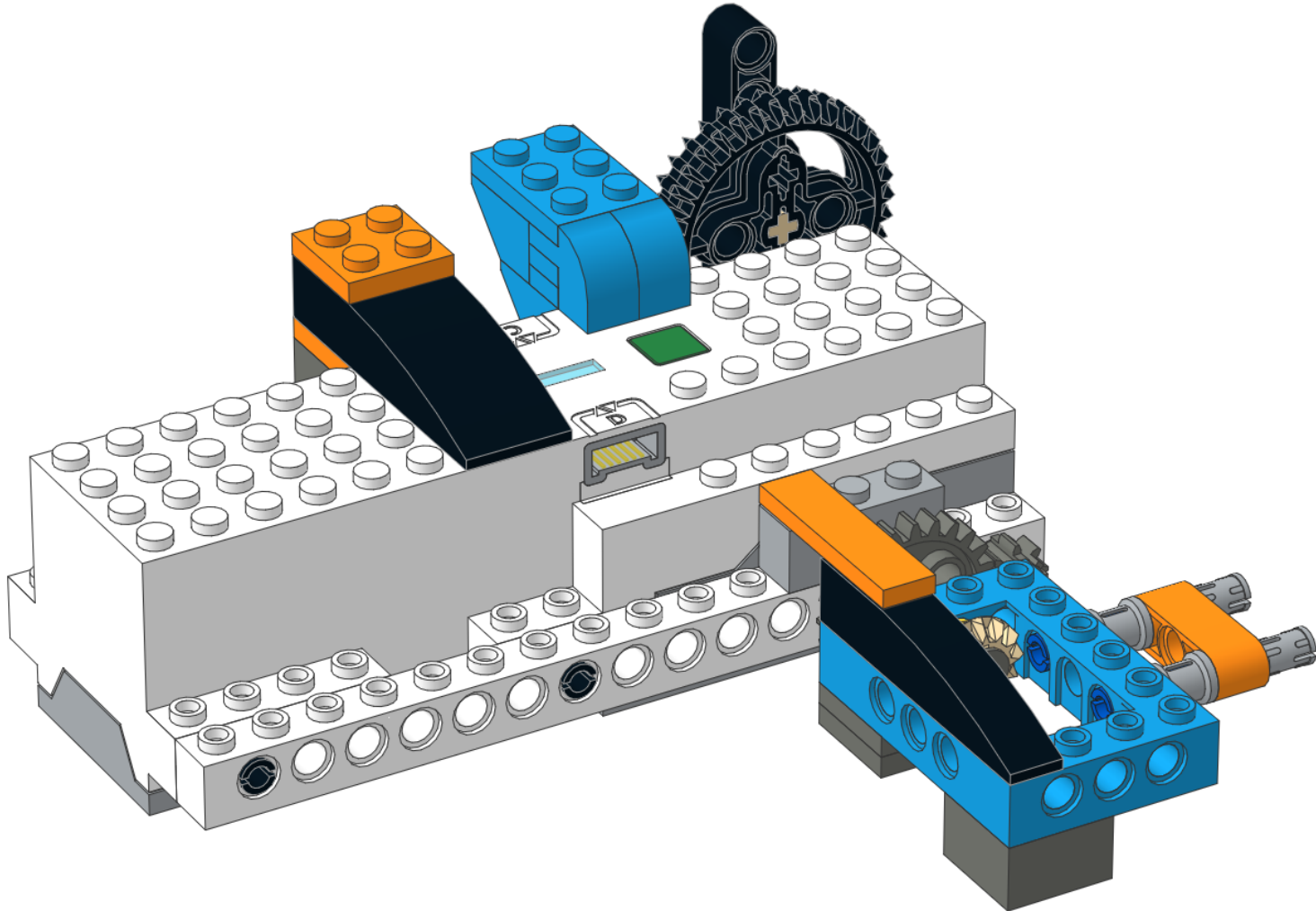


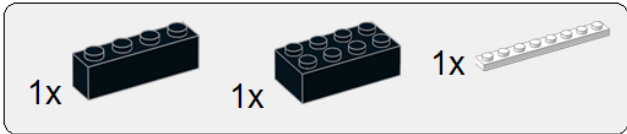
7



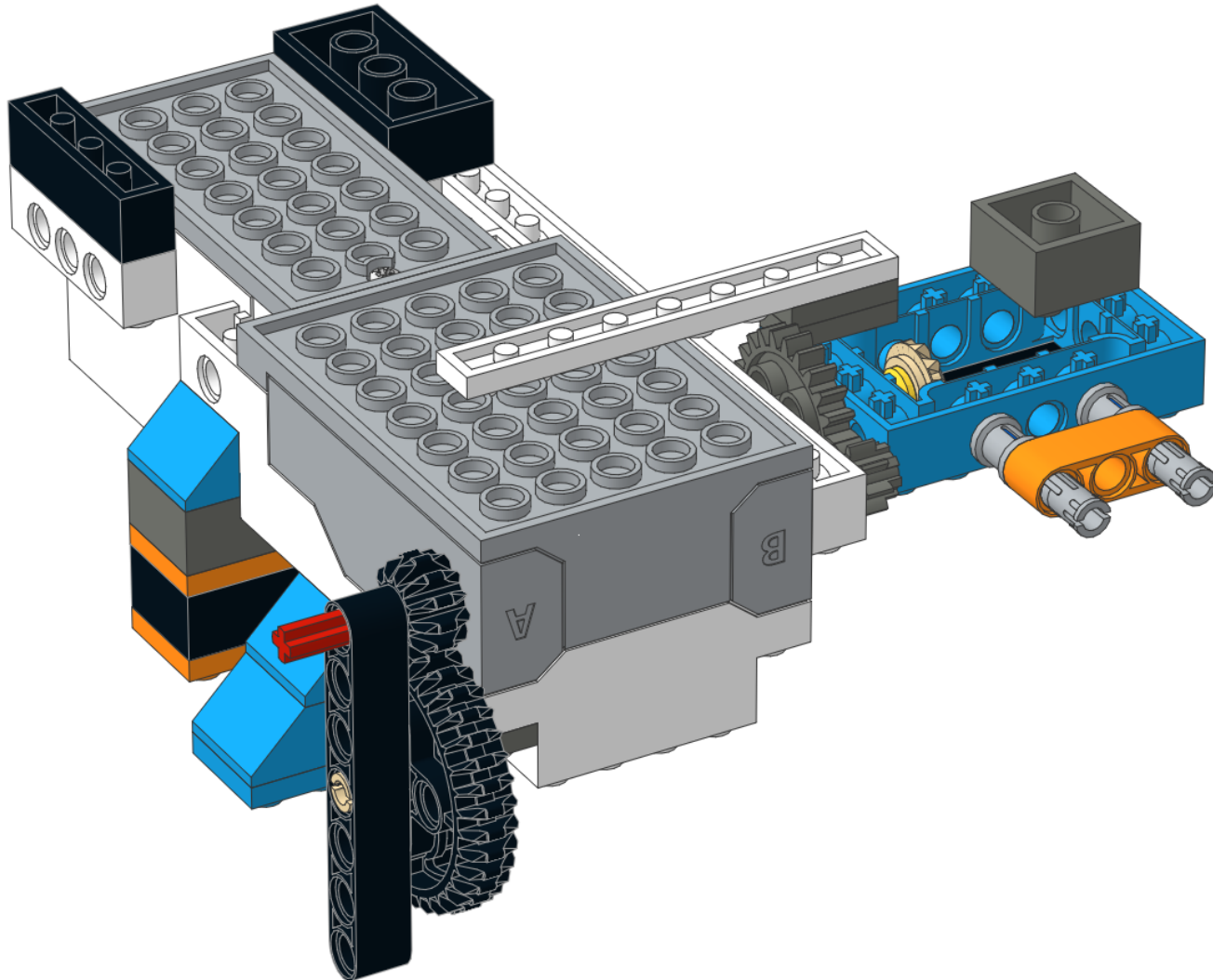


8



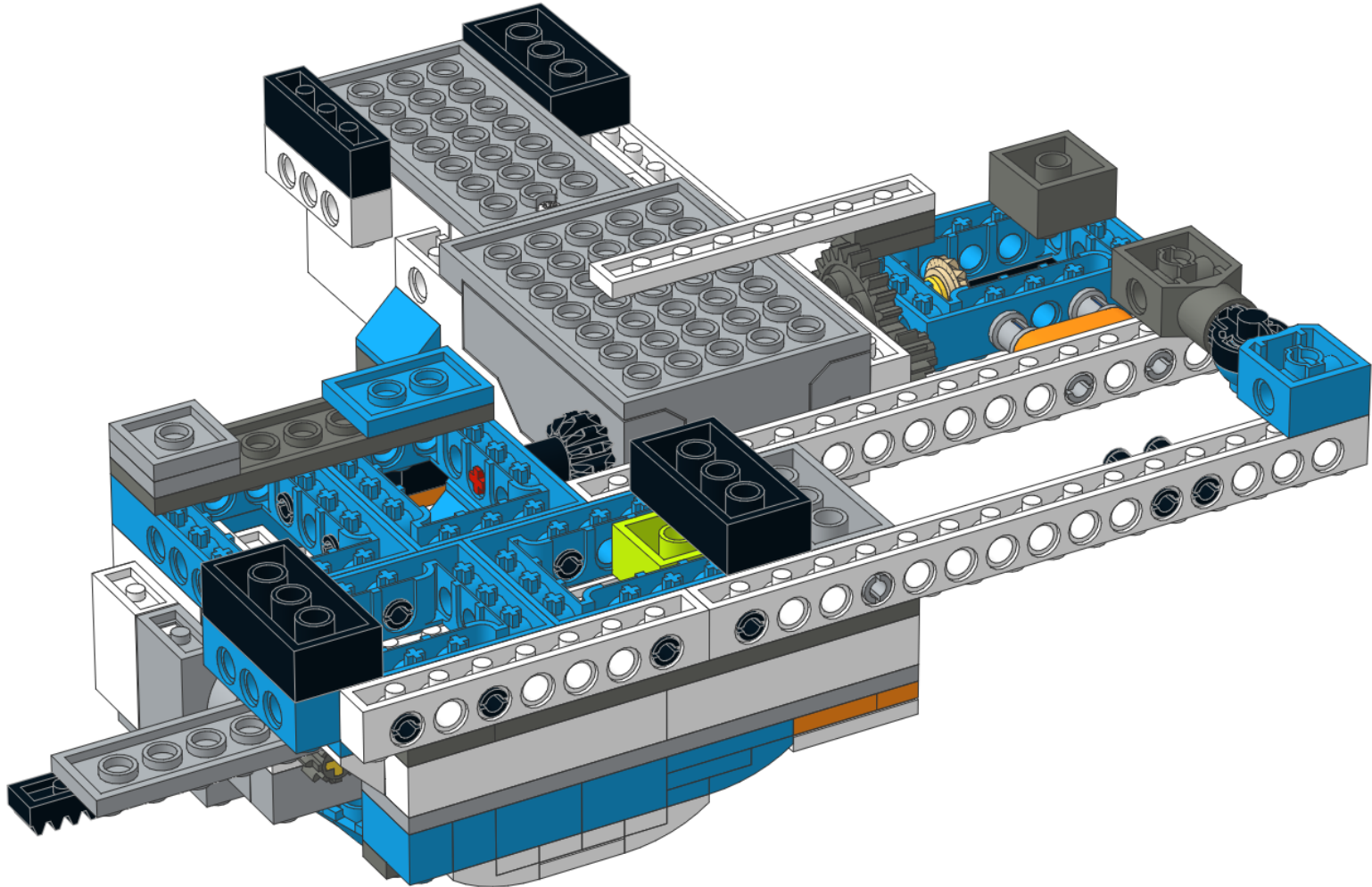


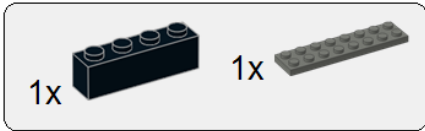
9



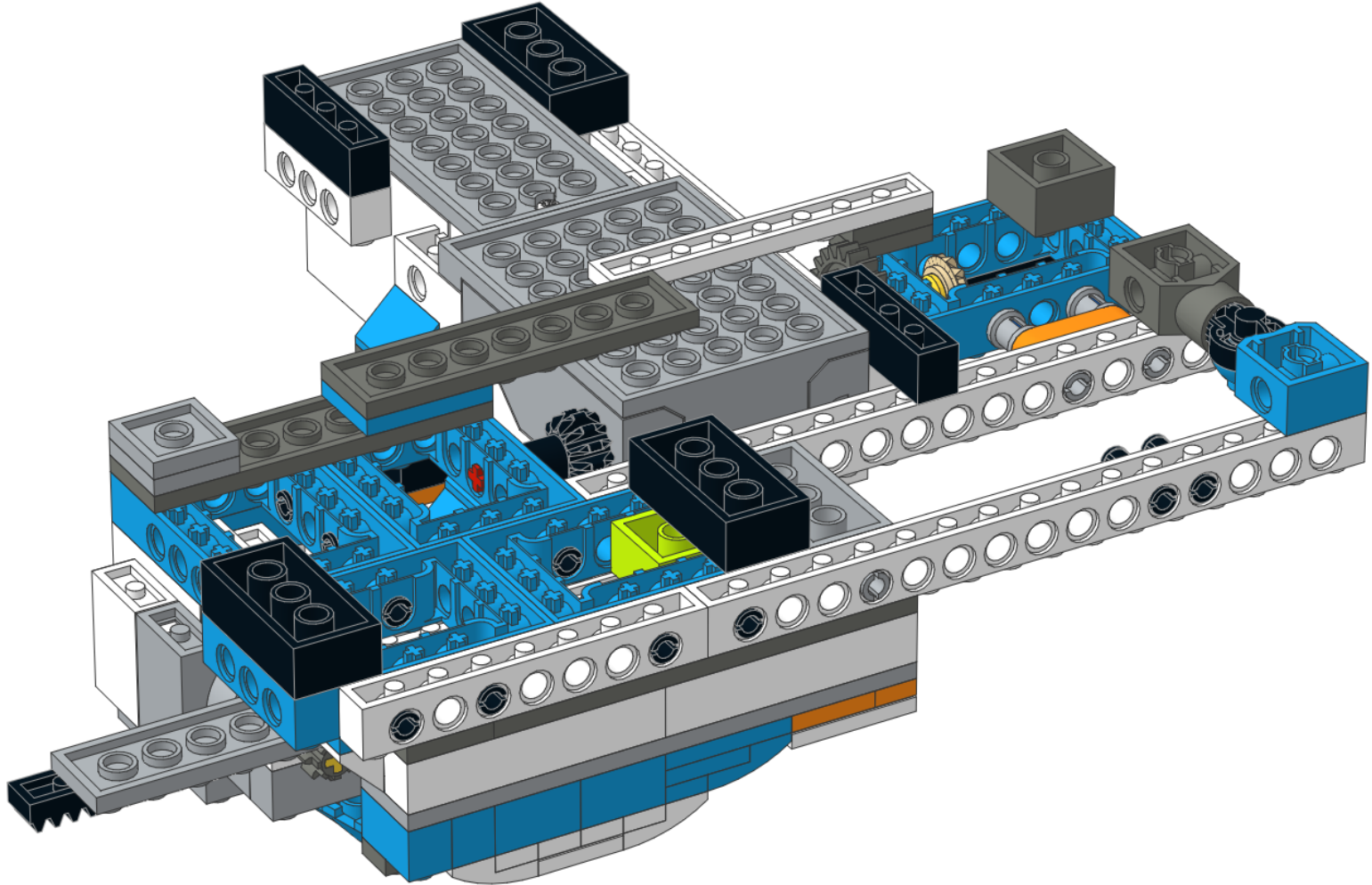


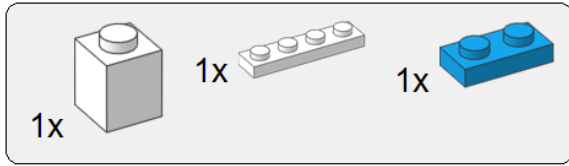
10



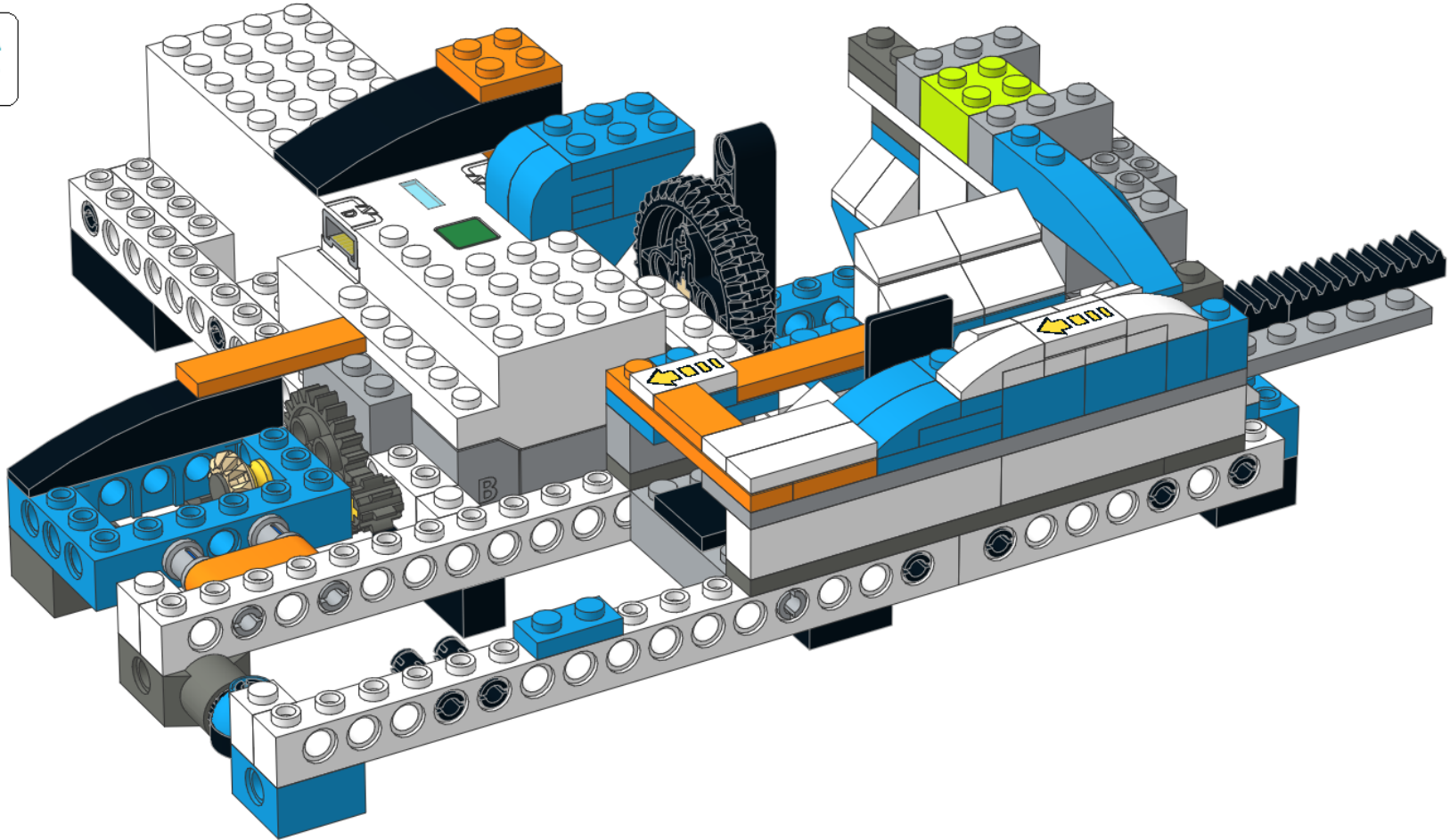


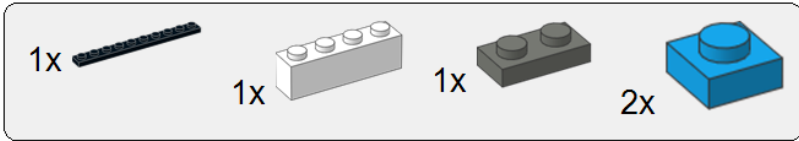
11



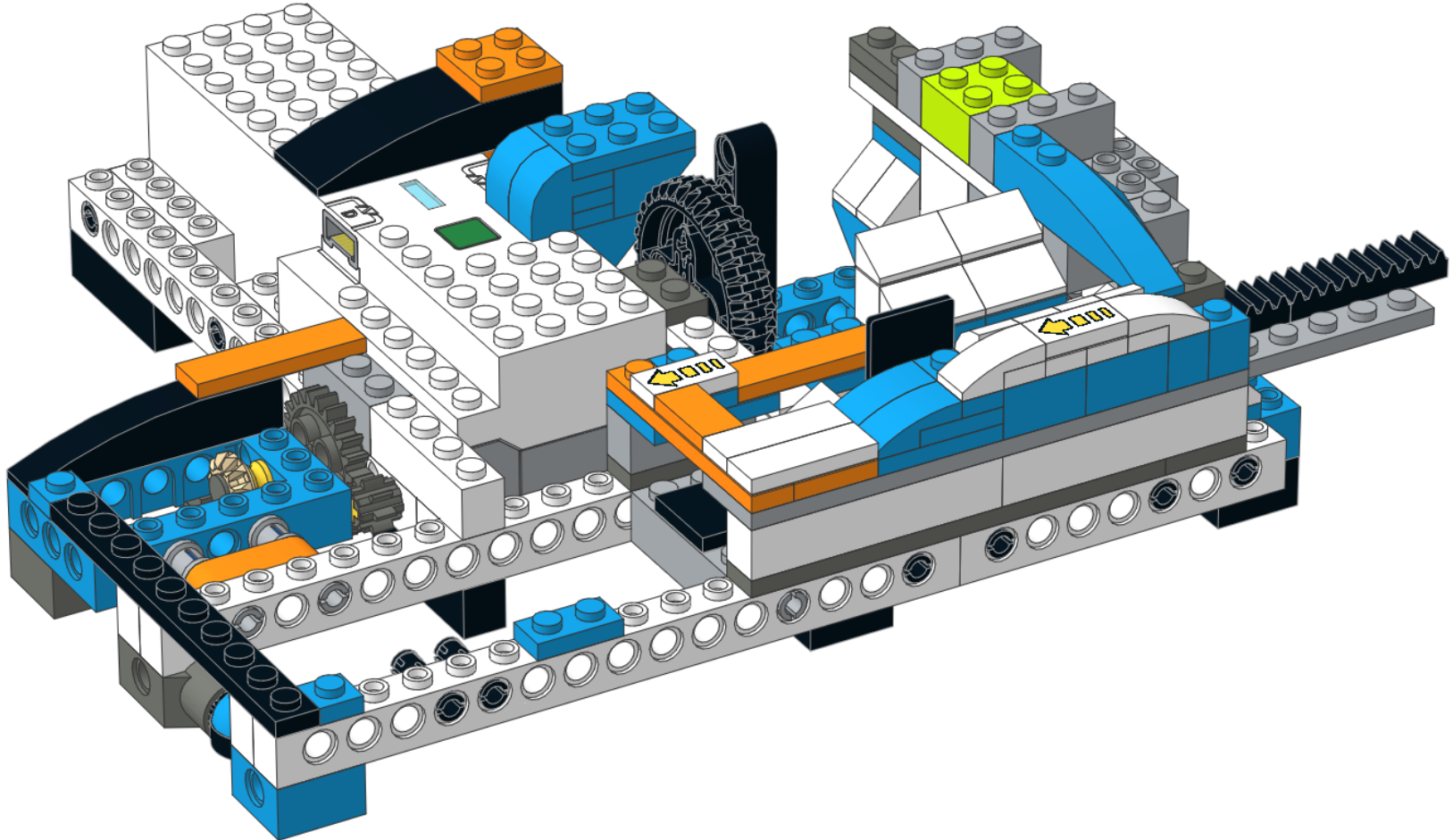


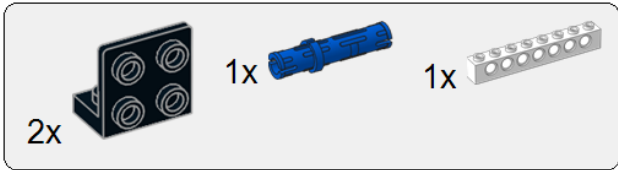
12 Connect motor cable to port C



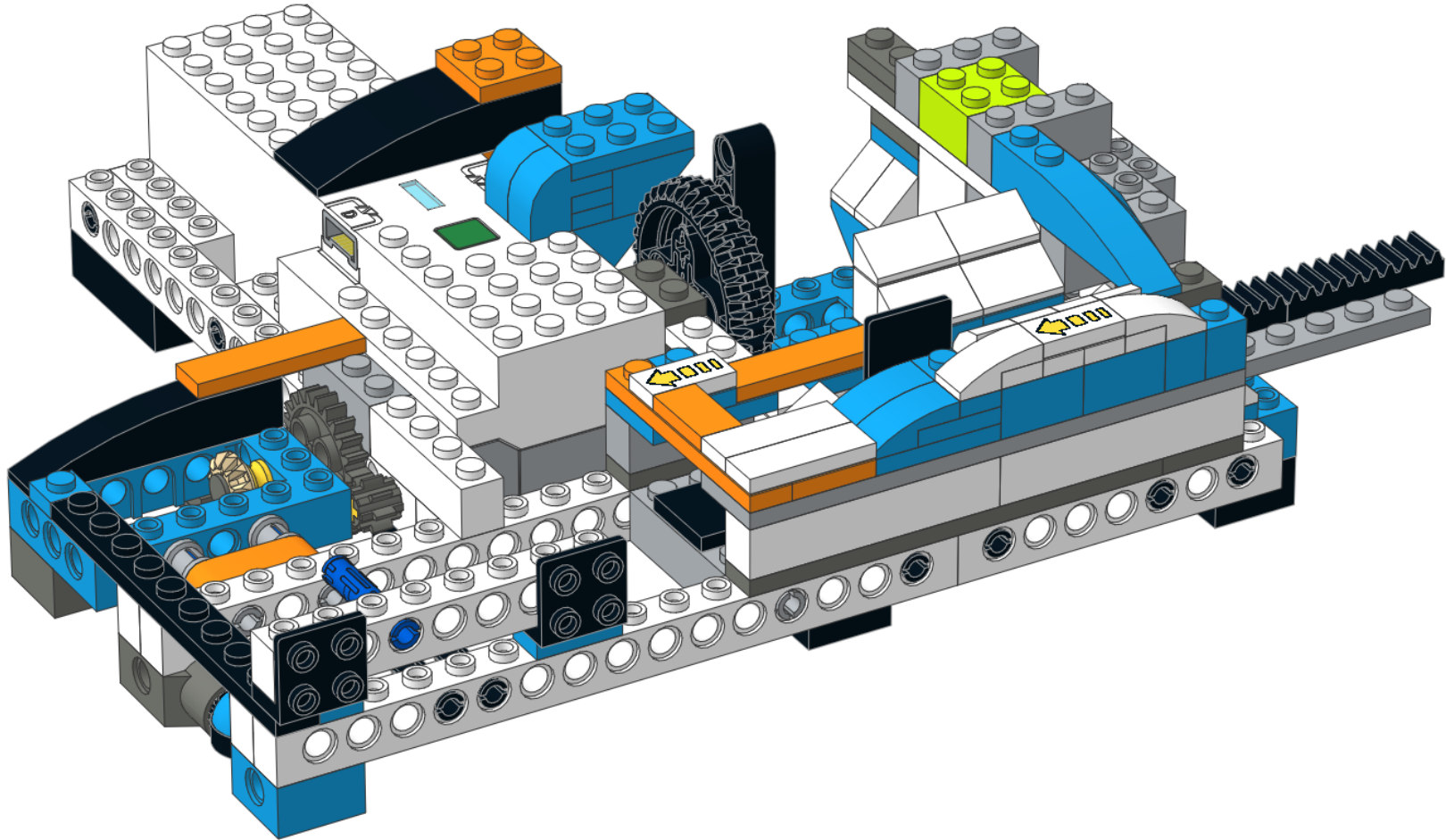


13

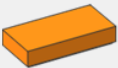




14

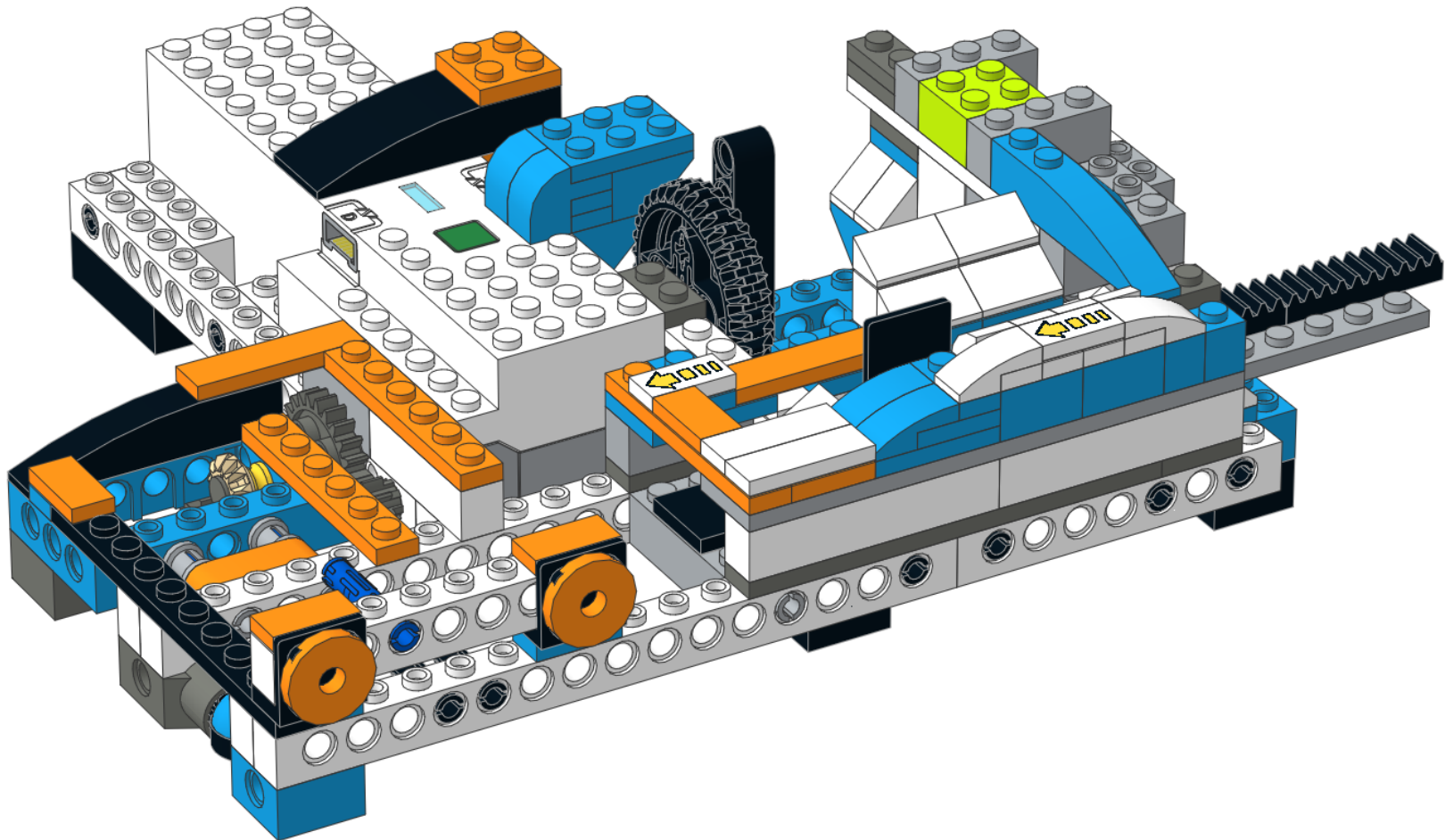


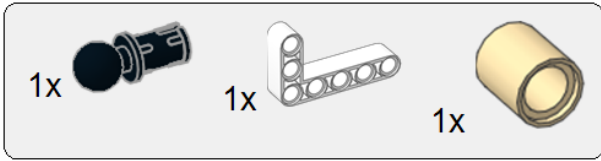
2x 

3x 

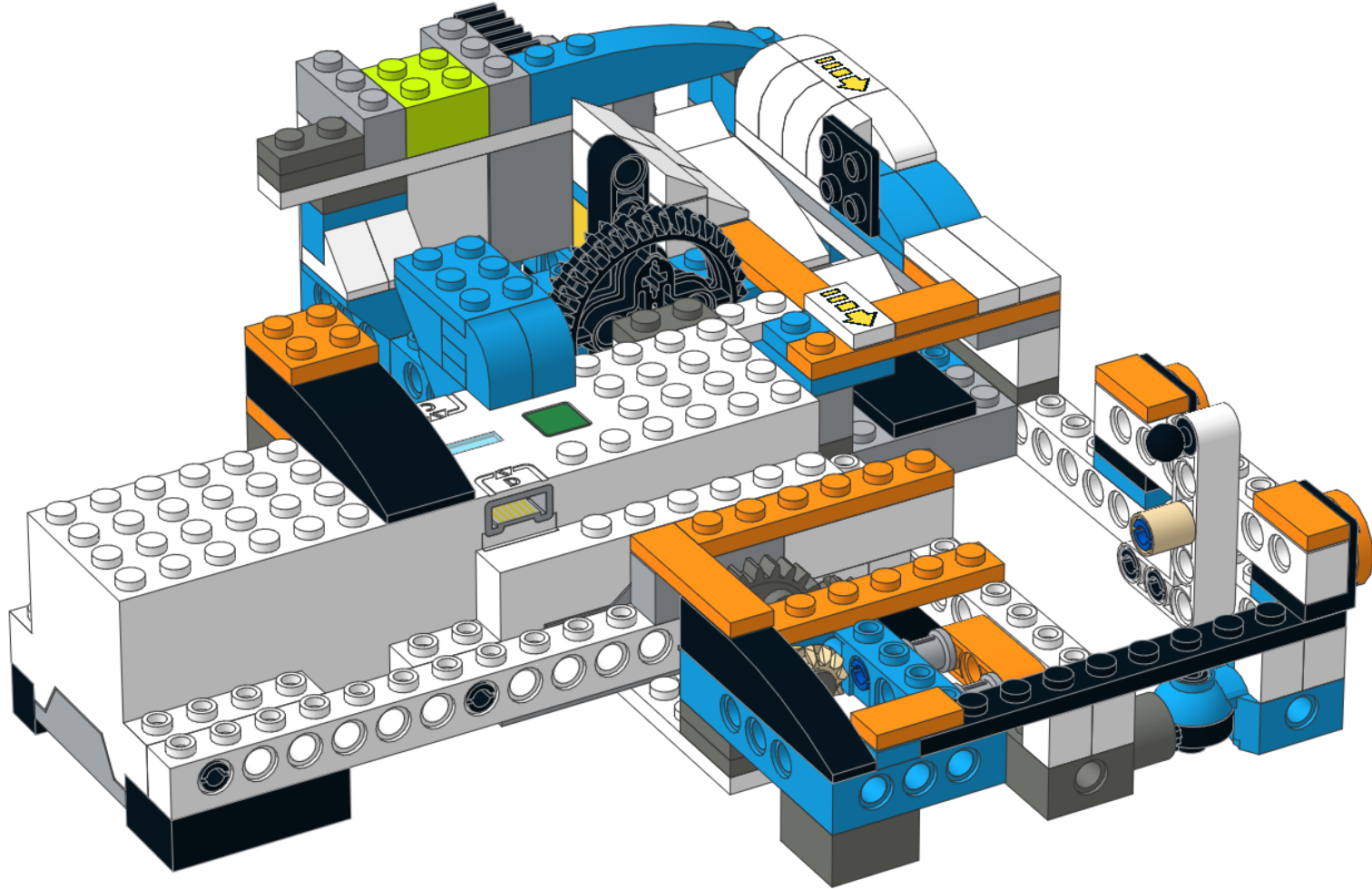
2x 

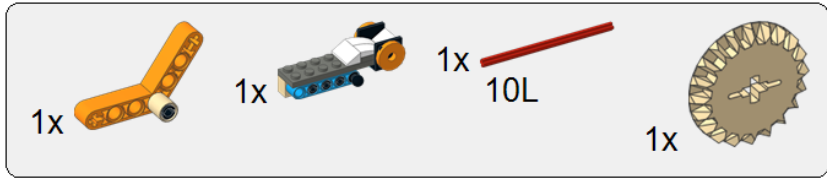
15



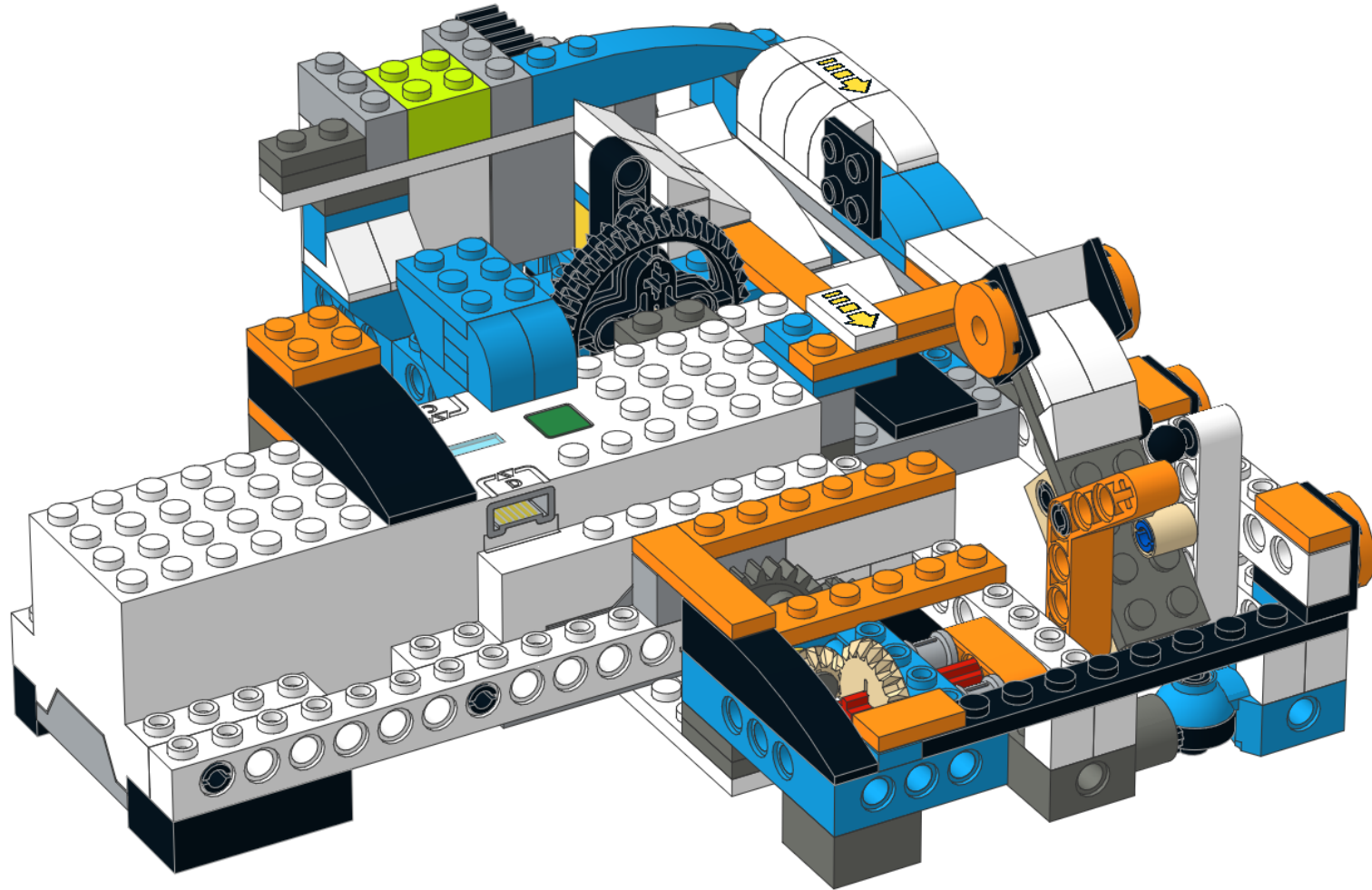


16



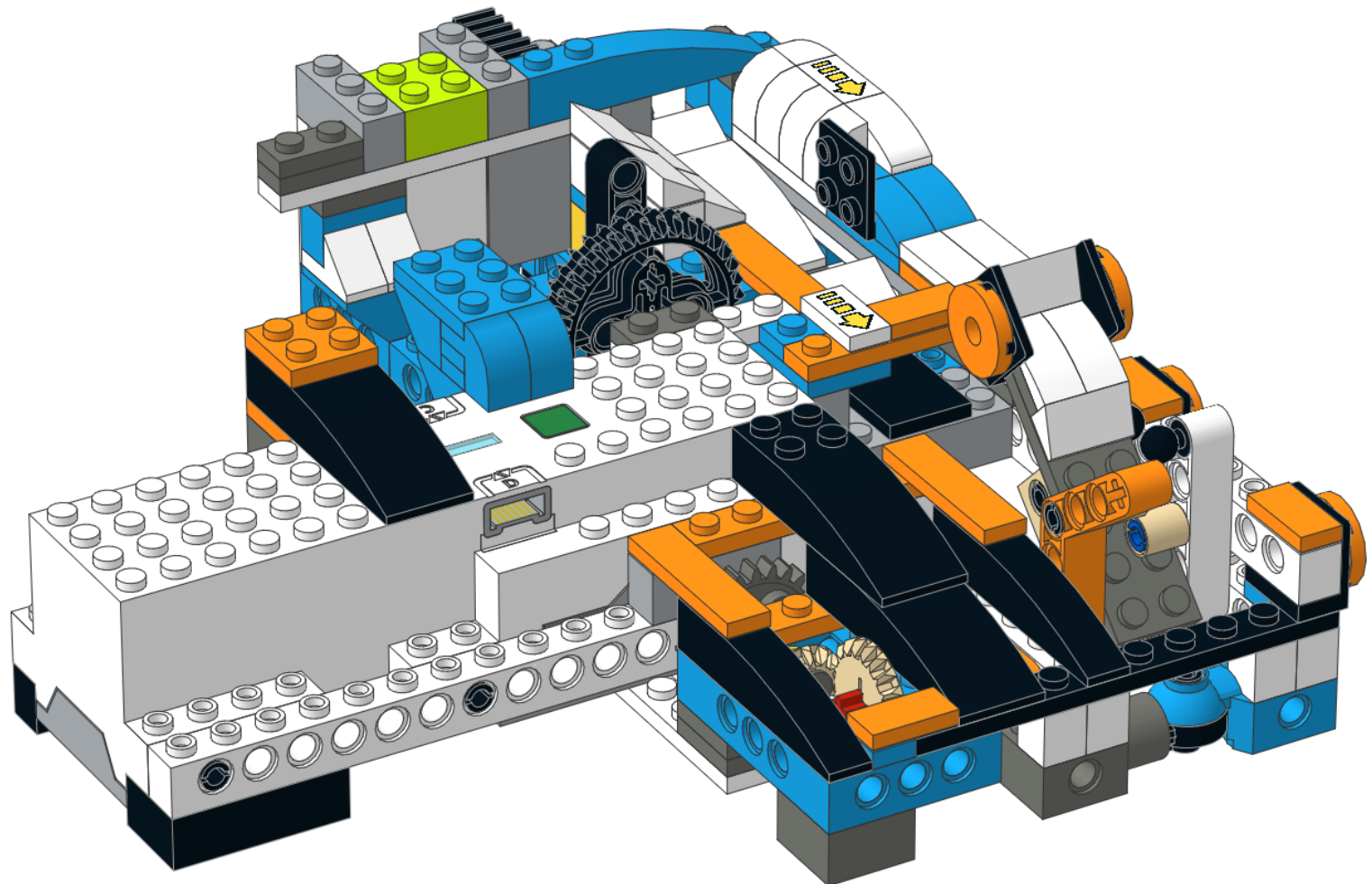


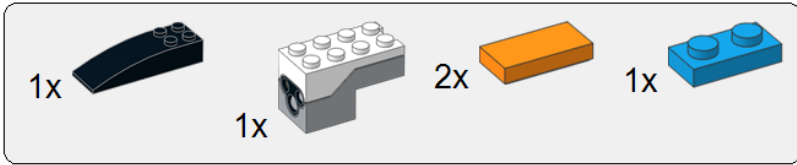
17



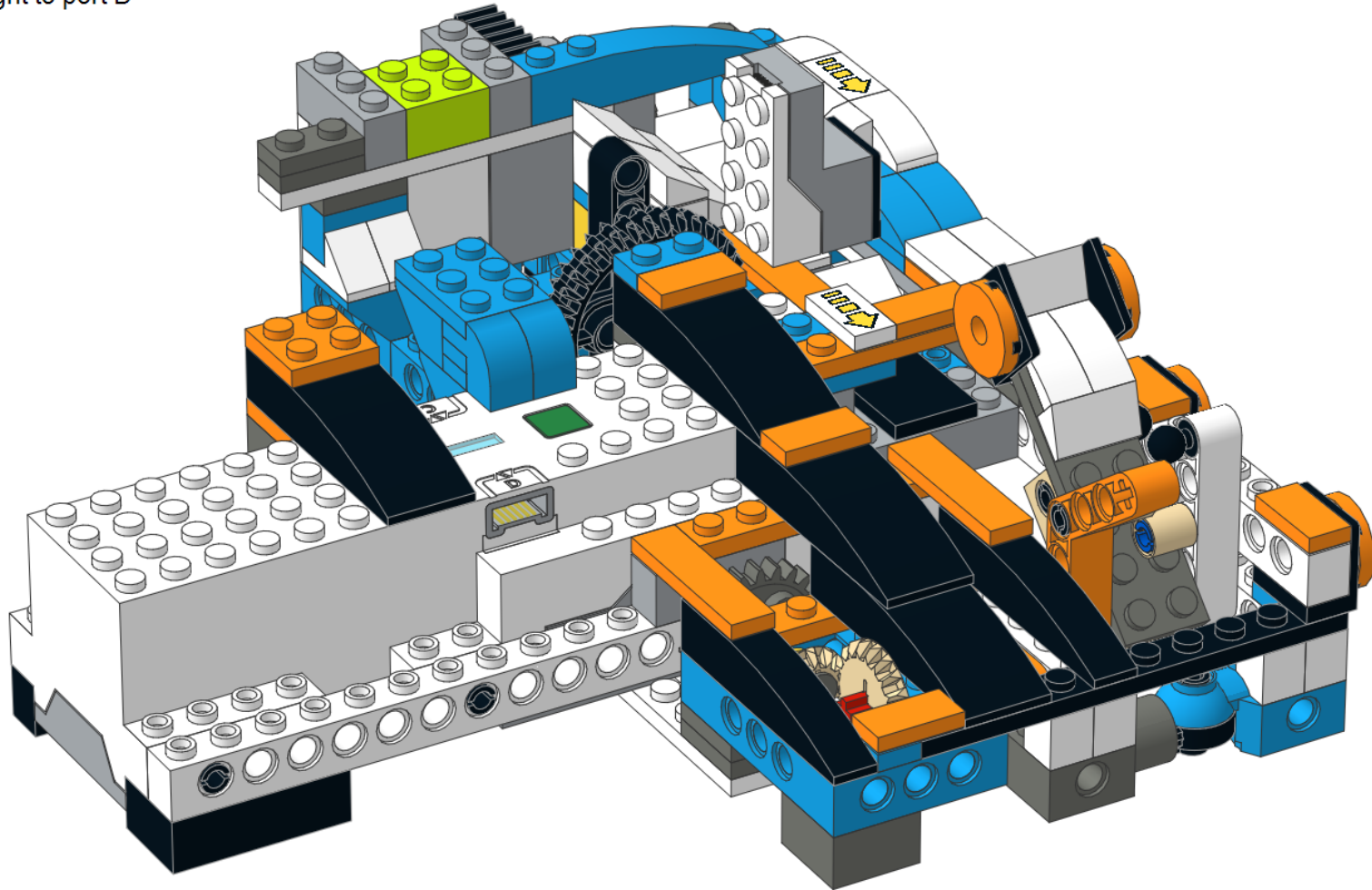


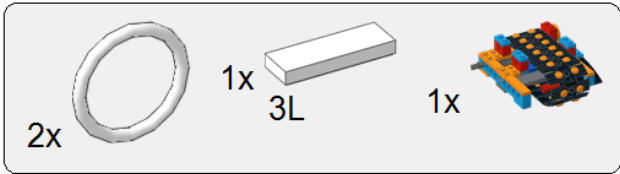
18



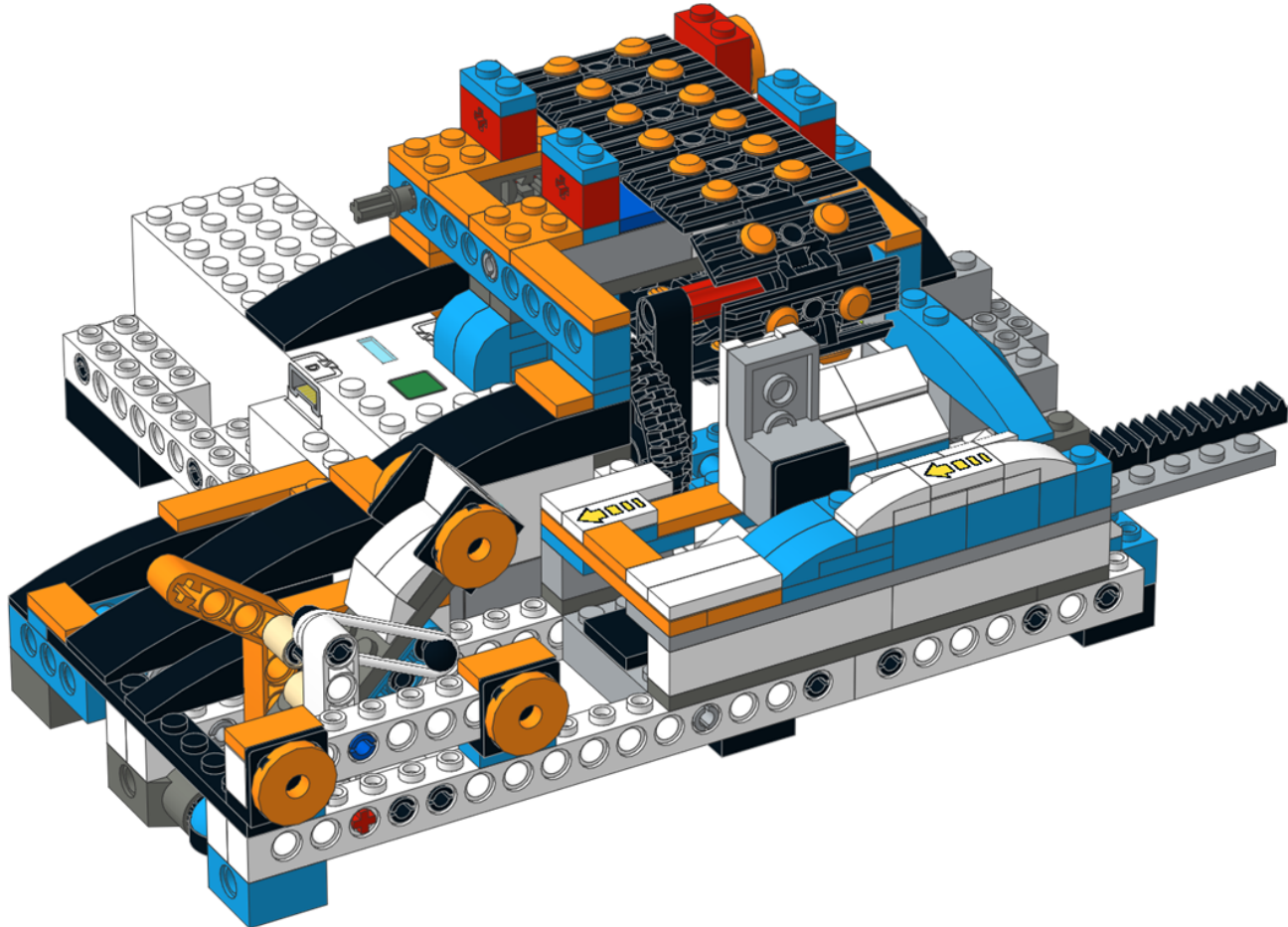


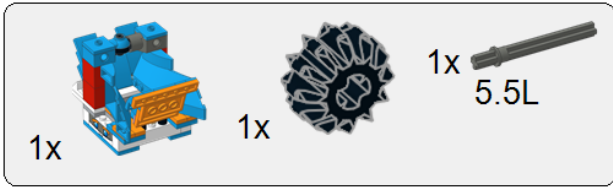
19 Connect light to port D





20





21

